

# Installation manual

## RotoShelf<sup>®</sup> MD 1250/2 FA



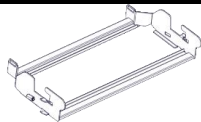

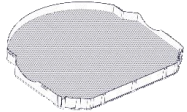









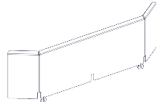



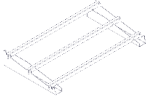

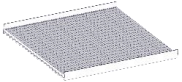
# STANDARD SET - RotoShelf® MD 1250/2 FA - TOP Art. No 0193-000

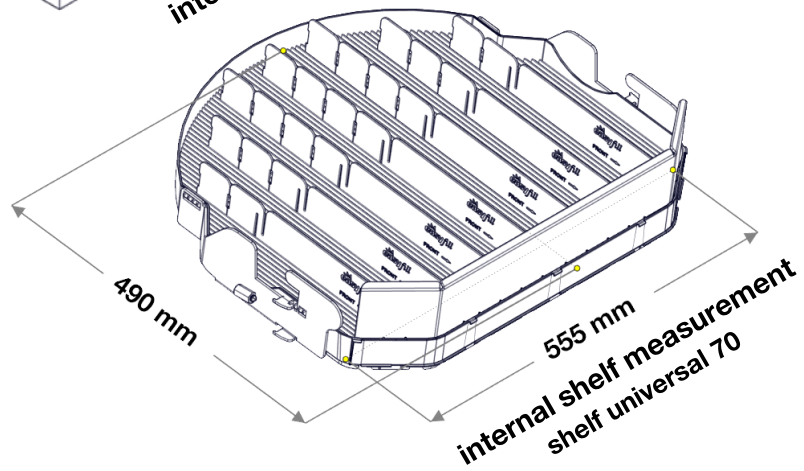
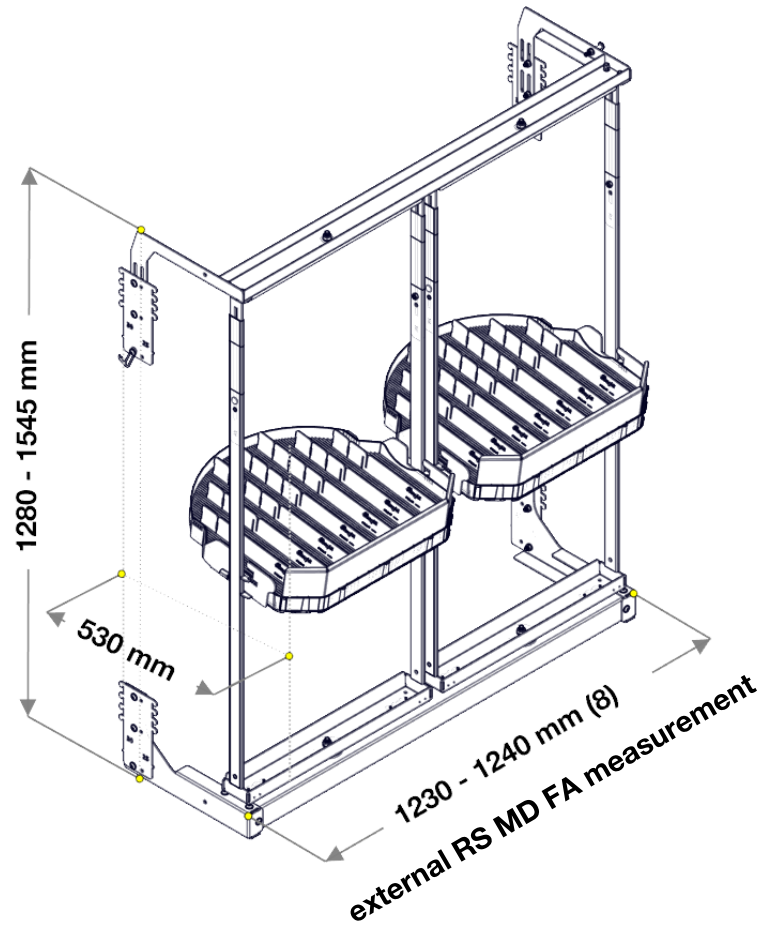
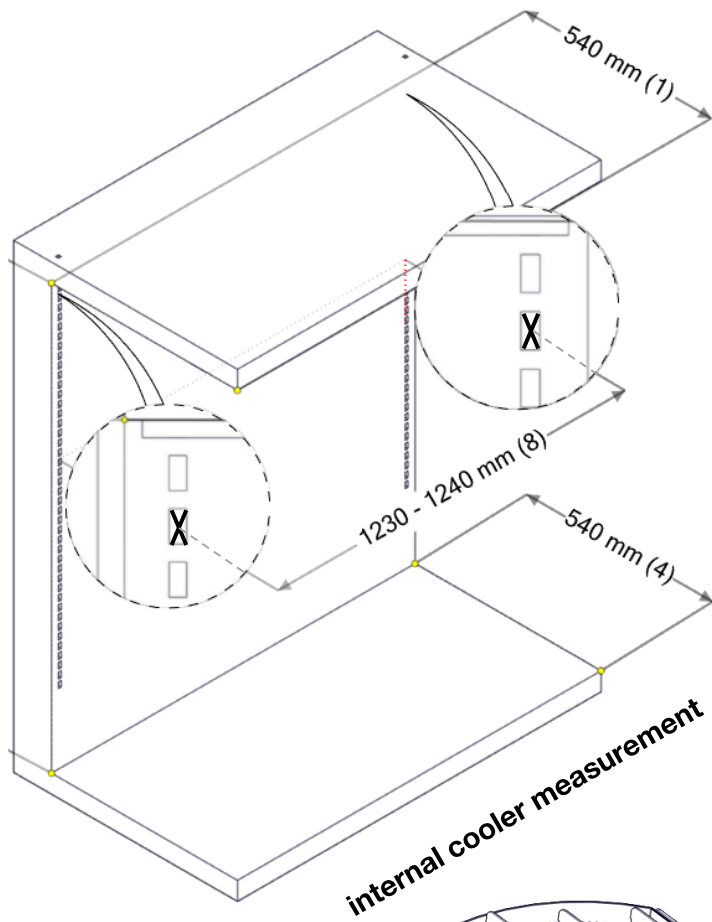
RotoShelf MD 1250/2 FA packing details			PARTS				RotoShelf MD 1250/2 FA packing details			PARTS			
SET Art. No	Picture packing	Picture	Product name	Art. No	Weight/ item	Qty	SET Art. No	Picture packing	Picture	Product name	Art. No	Weight/ item	Qty
<b>1/4</b> <b>0193-01000-0</b> packing 1320 x 220 x 220 /mm/ , weight = 28 kg			Top Part	0193-11000-0	3,900 kg	1	<b>3/4</b> <b>100515</b> packing 620 x 535 x 270 /mm/ , weight = 16 kg			Shelf 70 Housing	0193-41000-0	1,811 kg	4
			Bottom Part	0193-18000-0	12,200 kg	1				Shelf 70 universal white	400418	1,195 kg	4
			Adjustable frame	0193-13000-0	4,494 kg	2				Frontstopper UNI 70 H 113 mm	0070-00113	0,235 kg	4
			Handle for frame	0193-30000-0	0,415 kg	2				Divider Uni 70-90 white	400393	0,044 kg	28
			Connecting mat. for -Frame	0193-60000-0	0,446 kg	1				Plastlabel RS90F11 585*37*0,8	400450	0,020 kg	4
<b>2/4 A</b> <b>0193-50000-0</b> packing 435 x 370 x 80 /mm/ , weight = 6,8 kg			Top console - LEFT	0193-52001-0	0,670 kg	1	<b>4/4</b> <b>100515</b> packing 620 x 535 x 270 /mm/ , weight = 16 kg			Shelf 70 Housing	0193-41000-0	1,811 kg	4
			Top console - RIGHT	0193-52001-1	0,670 kg	1				Shelf 70 universal white	400418	1,195 kg	4
			Bottom console - LEFT	0193-51001-0	1,403 kg	1				Frontstopper UNI 70 H 113 mm	0070-00113	0,235 kg	4
			Bottom console - RIGHT	0193-51001-1	1,403 kg	1				Divider Uni 70-90 white	400393	0,044 kg	28
			brackets 25/30 mm	0193-51002-0	0,471 kg	4				Plastlabel RS90F11 585*37*0,8	400450	0,020 kg	4
			Connecting mat. for - Brackets	0193-53000-0	0,208 kg	1							
		<b>25/30</b>											

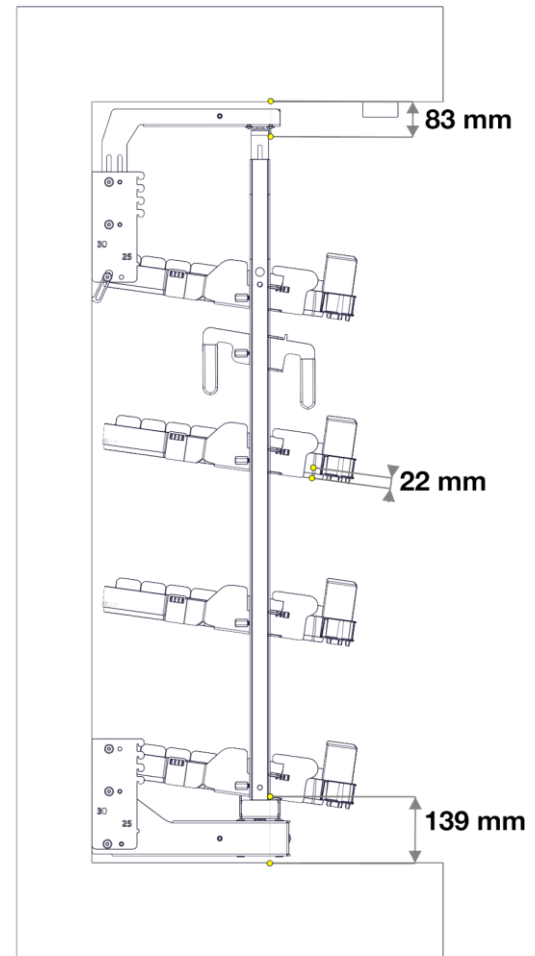
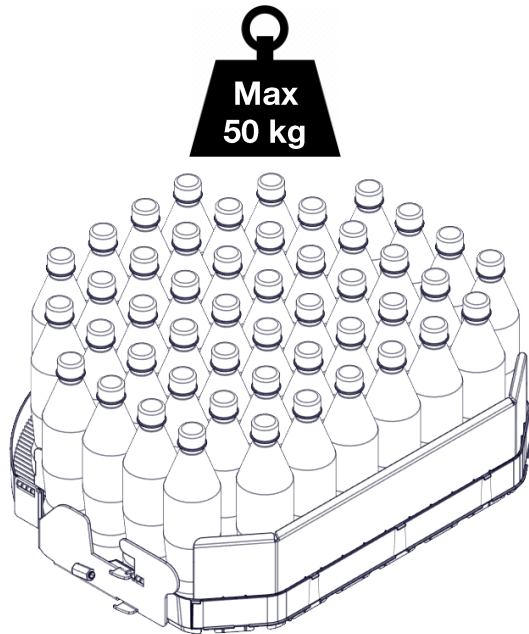
EXTRA SET - RotoShelf® MD 1250/2 FA

RotoShelf MD 1250/2 FA packing details			PARTS				RotoShelf MD 1250/2 FA packing details			PARTS			
SET Art. No	Picture packing	Picture	Product name	Art. No	Weight/ item	Qty	SET Art. No	Picture packing	Picture	Product name	Art. No	Weight/ item	Qty
100514 packing 650 x 580 x 200 /mm/, weight = 10,2 kg			Bottom Shelf	0155-44100-0	1,800 kg	2	0193-40000-0 packing 610 x 525 x 125 /mm/, weight = 4,5 kg			Shelf 70 Housing	0193-41000-0	1,811 kg	1
			Shelf Universal 620 Gray	400394	2,170 kg	2				Shelf 70 universal white	400418	1,195 kg	1
			Frontstopper UNI620 High H 113 mm	0620-00113	0,213 kg	2				Frontstopper UNI 70 H 113 mm	0070-00113	0,235 kg	1
			Divider Easyfill Uni 620	400476	0,050 kg	16				Divider Uni 70-90 white	400393	0,044 kg	7
100513 weight = 1,884 kg			brackets 25/32	0193-51003-0	0,471 kg	4			Plastlabel RS90F11 585*37*0,8	400450	0,020 kg	1	
2/4 B 100517 packing 435 x 370 x 80 /mm/, weight = 6,8 kg			Top console - LEFT	0193-52001-0	0,670 kg	1							
			Top console - RIGHT	0193-52001-1	0,670 kg	1							
			Bottom console - LEFT	0193-51001-0	1,403 kg	1							
			Bottom console - RIGHT	0193-51001-1	1,403 kg	1							
			brackets 25/32 mm	0193-51003-0	0,471 kg	4							
			Connecting mat. for - Brackets	0193-53000-0	0,208 kg	1							

25/32

Rotoshelf MD packing details		ACCESSORIES				Rotoshelf MD packing details		ACCESSORIES			
	Picture	Product name	Art. No	Weight/ item	Qty.		Picture	Product name	Art. No	Weight/ item	Qty.
		Shelf 70 Housing	0193-41000-0	1,811 kg	1			Divider Easyfill Uni 620	400476	0,050 kg	1
		Shelf 70 universal white	400418	1,195 kg	1			Divider extender L=483 mm	889090	0,030 kg	1
		Price List		0,050 kg	1			Pusher	0118-00000-0	0,050 kg	1
		Divider Uni 70-90 white	400393	0,044 kg	1			Rollertrack	400392	0,150 kg	1
		Frontstopper UNI 70 H 113 mm	0070-00113	0,235 kg	1			Handle for frame	0193-30000-0	0,415 kg	1
		Frontstopper UNI 70 H 54 mm	0070-00054	0,112 kg	1			Frontstopper UNI620 High H 113 mm	0620-00113	0,213 kg	1
		Frontstopper UNI 70 H 163 mm	0070-00163	0,345 kg	1			Frontstopper UNI620 Low H 54 mm	0620-00054	0,150 kg	1
		Plastlabel RS90F11 585*37*0,8	400450	0,020 kg	1			Frontstopper UNI620 ExtraHigh H163 mm	0620-00163	0,330 kg	1
		Bottom Shelf	0155-44100-0	1,800 kg	1			Divider extender L=300 mm	889091	0,020 kg	1
		Shelf Universal 620 Gray	400394	2,170 kg	1						





RS MD FA measurement



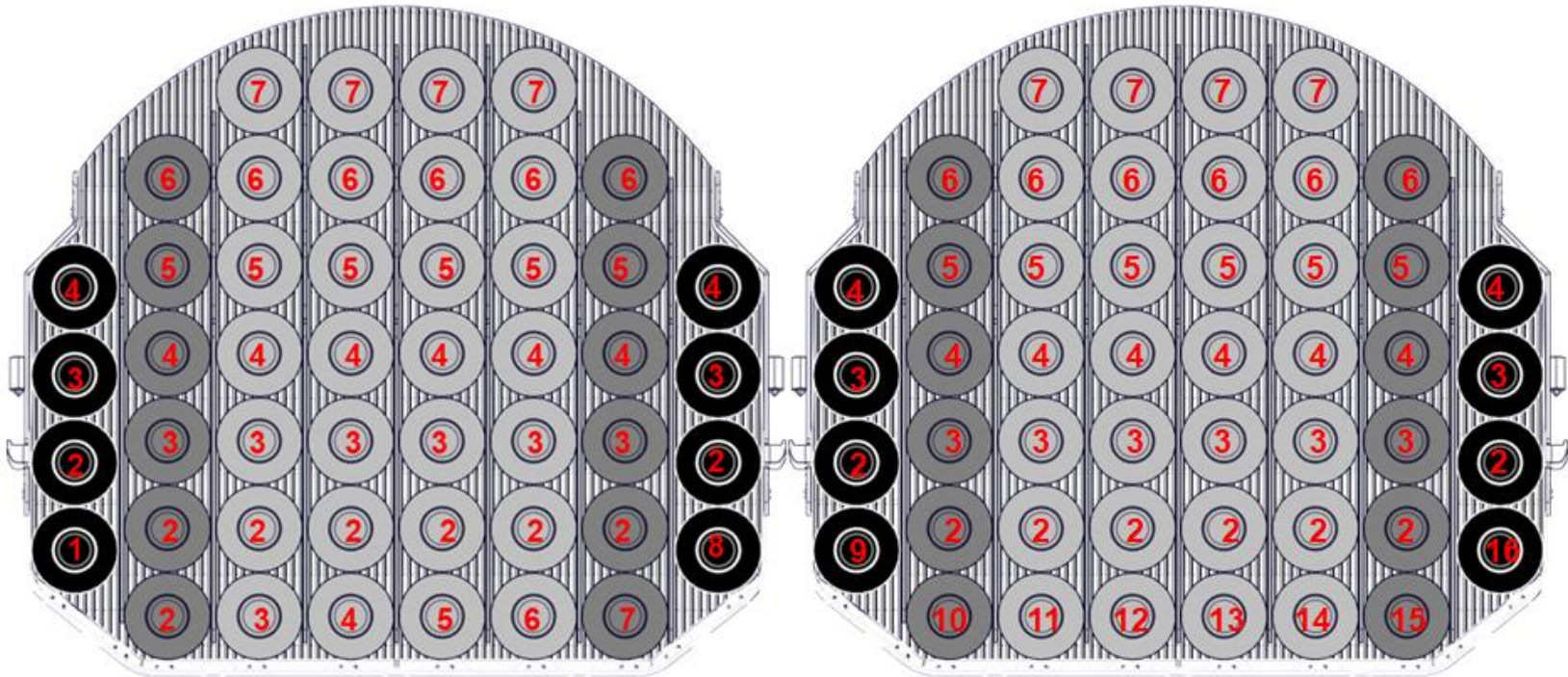
- 500 ml PET
- Ø 65 mm
- 0,48 m2

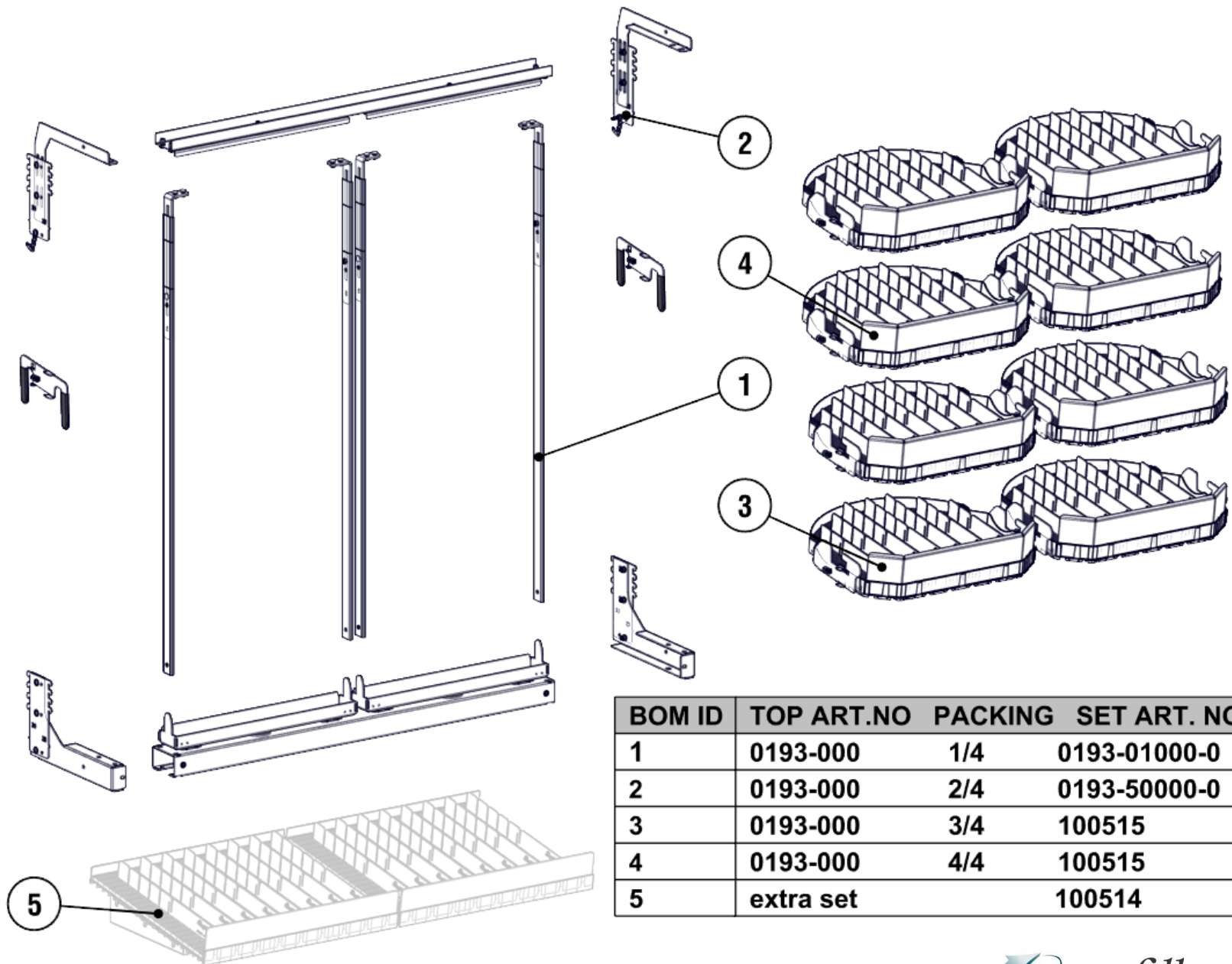
$$4 \times 4 = 16$$

$$6 \times 4 = 24$$

$$7 \times 8 = 56$$

$$= 96$$





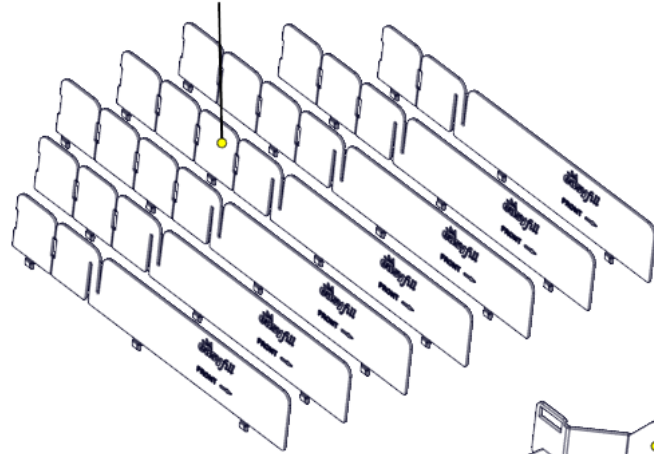
BOM ID	TOP ART.NO	PACKING	SET ART. NO
1	0193-000	1/4	0193-01000-0
2	0193-000	2/4	0193-50000-0
3	0193-000	3/4	100515
4	0193-000	4/4	100515
5	extra set		100514



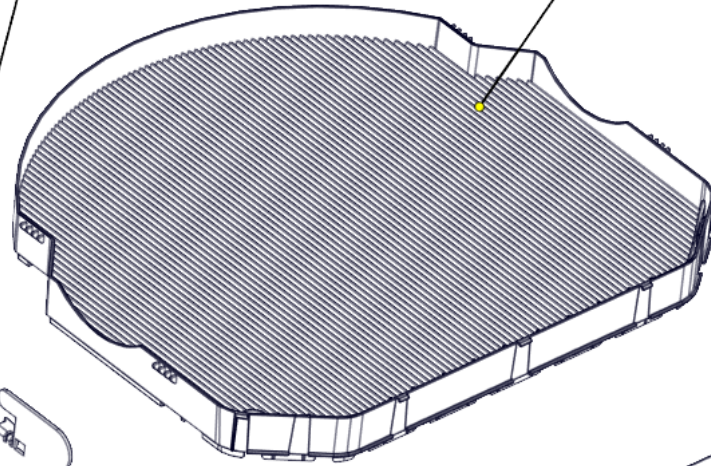
# SET Art.No. 100515

## Art. No. 0193-40000-0 (4x)

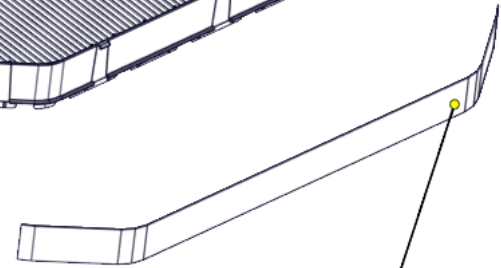
Divider Uni 70-90 white  
Art. NO 400393



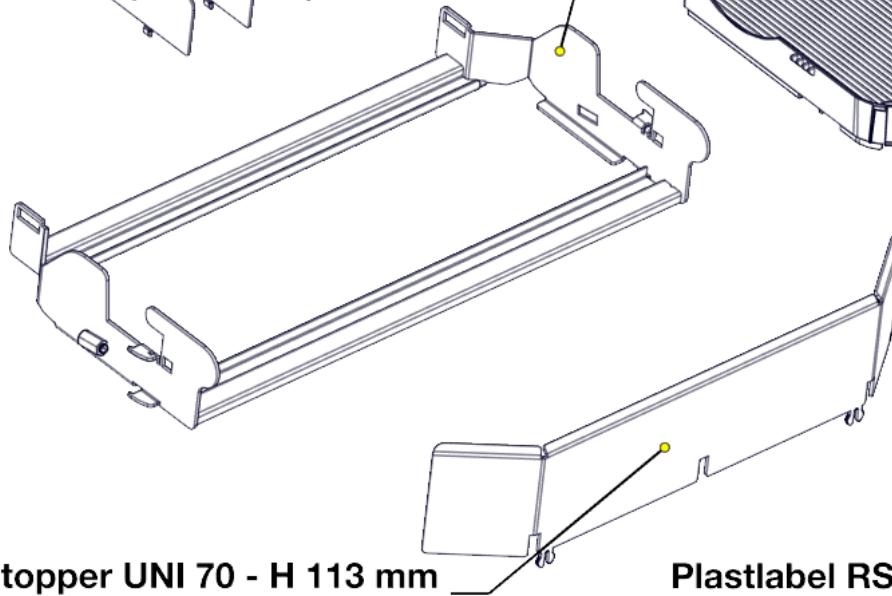
Shelf 70 Housing  
Art. No 0193-41000-0



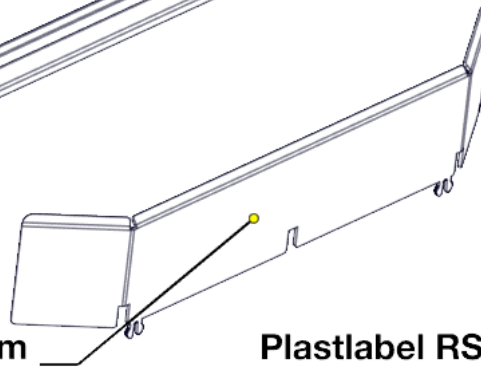
Shelf 70 Universal white  
Art. No 400418

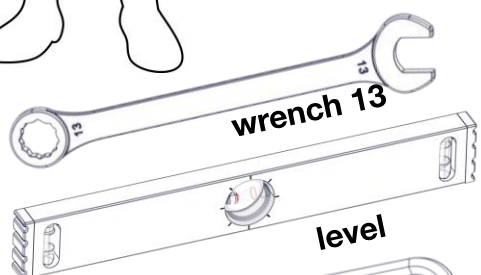
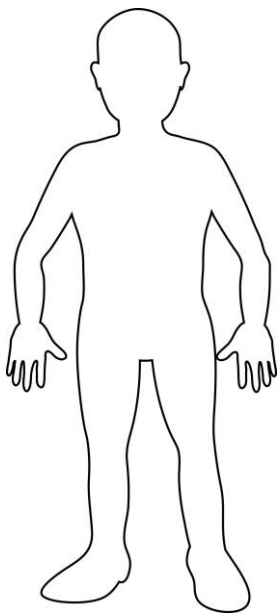


Frontstopper UNI 70 - H 113 mm  
Art. No 0070-00113



Plastlabel RS90F11 585\*37\*0,8  
Art. No 400450



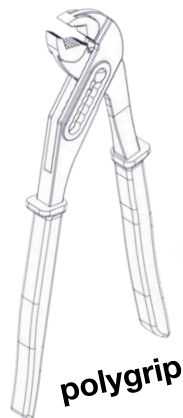


wrench 13

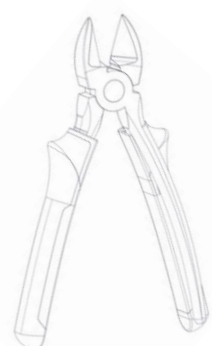
level



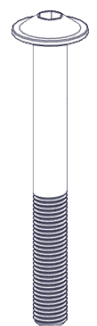





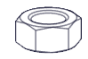
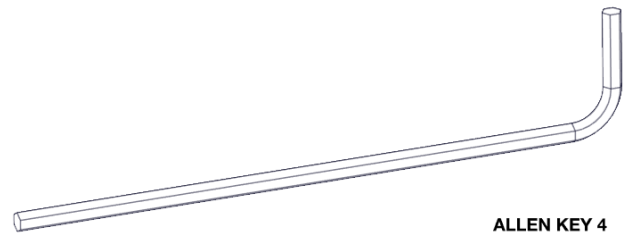
allen key 5



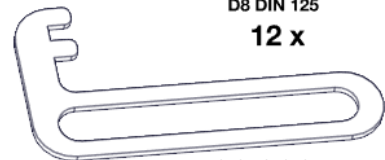



polygrip



wire cutter

				
M8 x 70 ISO 7380-2 <b>4 x</b>	M8 x 50 ISO 7380-2 <b>3 x</b>	M8 x 16 ISO 7380-2 <b>6 x</b>	M8 x 16 DIN 603 <b>8 x</b>	D8 DIN 125 <b>2 x</b>
				
RIVET NUT M8 <b>4 x</b>	M8 DIN 934 <b>10 x</b>	ALLEN KEY 4 <b>1 x</b>		

	
M8 x 20 ISO 7380-2 <b>12 x</b>	M8 DIN 934 <b>12 x</b>
	
0127-30010-0 <b>2 x</b>	D8 DIN 125 <b>12 x</b>



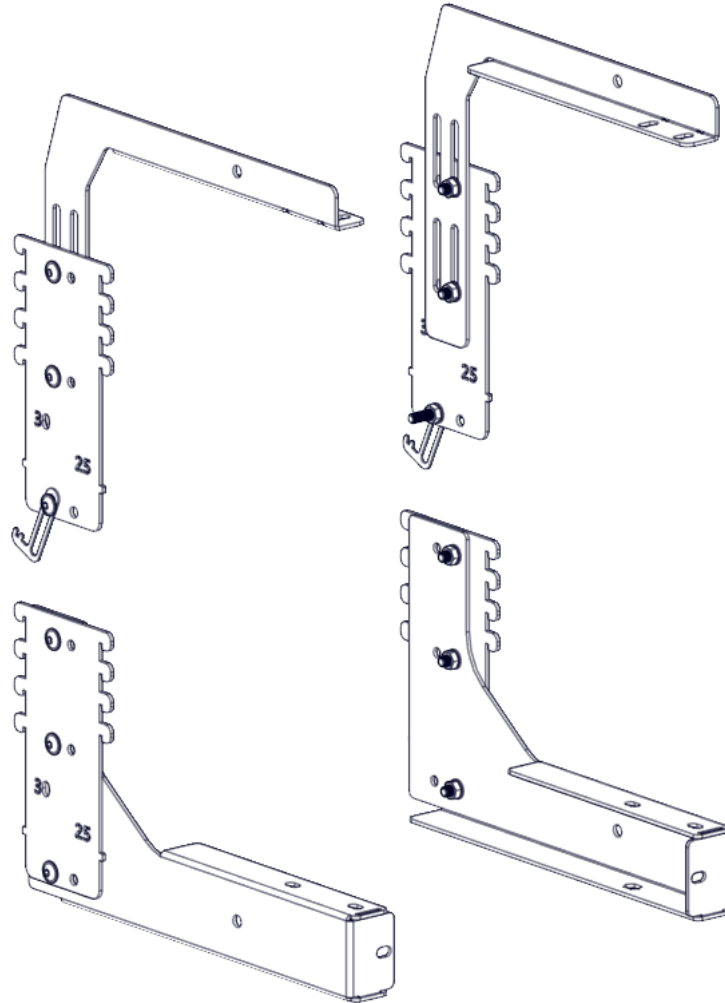
**0193-60000-0**



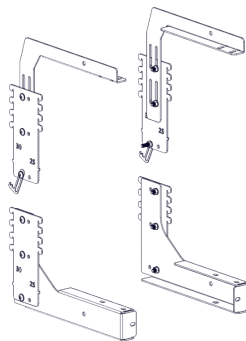
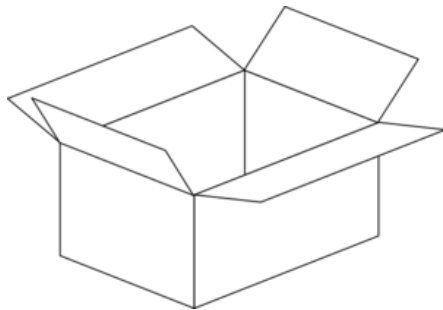
**0193-53000-0**

# Installation of brackets

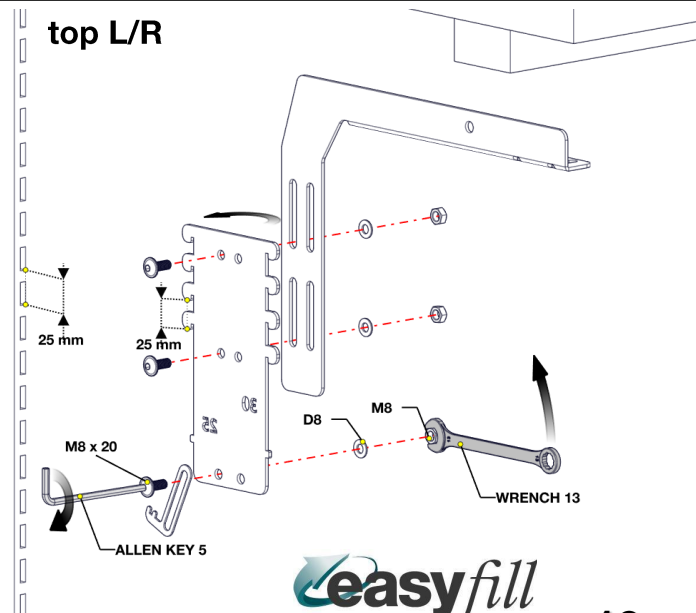
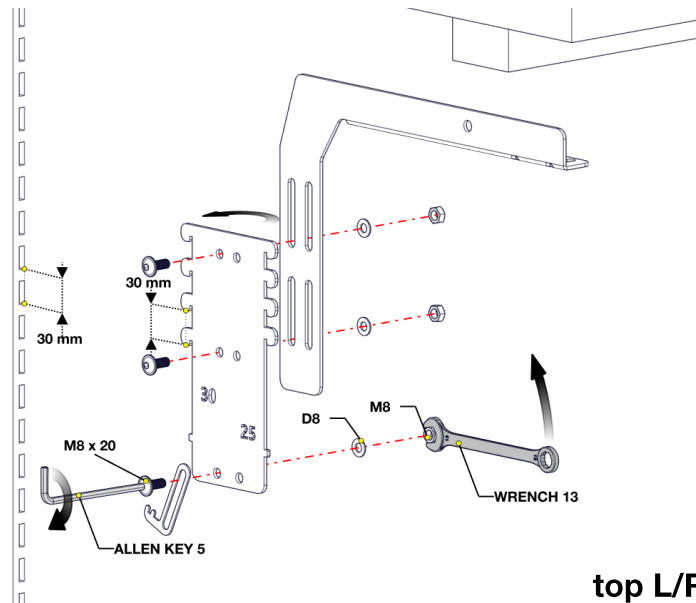
## Art.No. 0193-50000-0



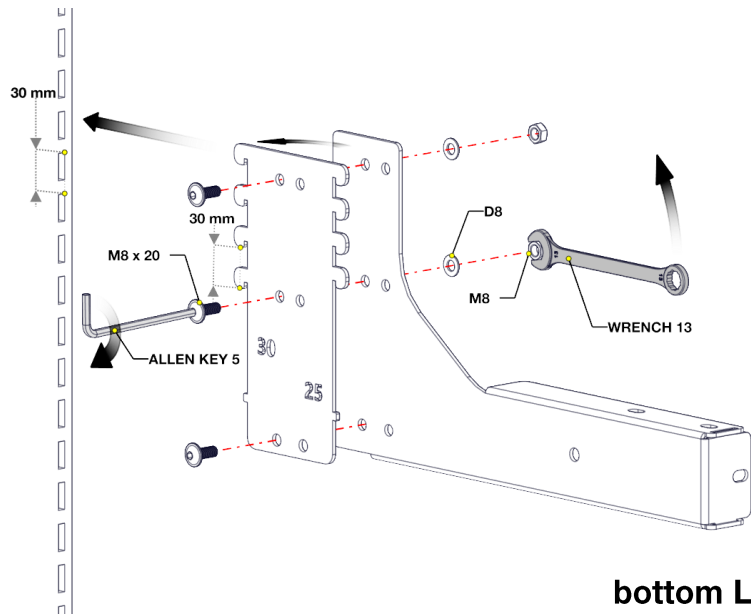
# Art.No. 0193-50000-0



 <b>M8 x 20 ISO 7380-2</b> <b>12 x</b>	 <b>M8 DIN 934</b> <b>12 x</b>	 <b>0193-53000-0</b> <b>1x</b>
 <b>0127-30010-0</b> <b>2 x</b>	 <b>D8 DIN 125</b> <b>12 x</b>	 <b>0193-52001-0</b> <b>1x</b>
 <b>0193-51001-0</b> <b>1x</b>	 <b>0193-51001-1</b> <b>1x</b>	 <b>0193-52001-1</b> <b>1x</b>
 <b>0193-51001-0</b> <b>1x</b>	 <b>0193-51001-1</b> <b>1x</b>	 <b>0193-51002-0</b> <b>4x</b>

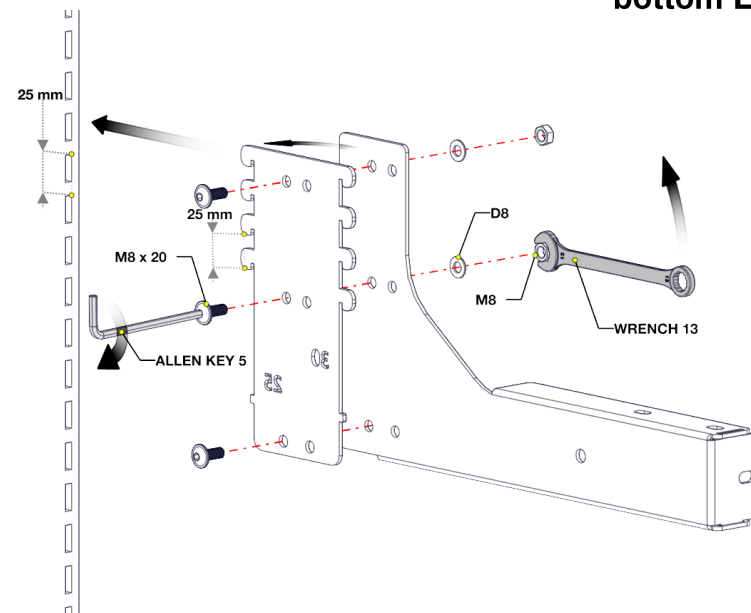


# Art.No. 0193-50000-0

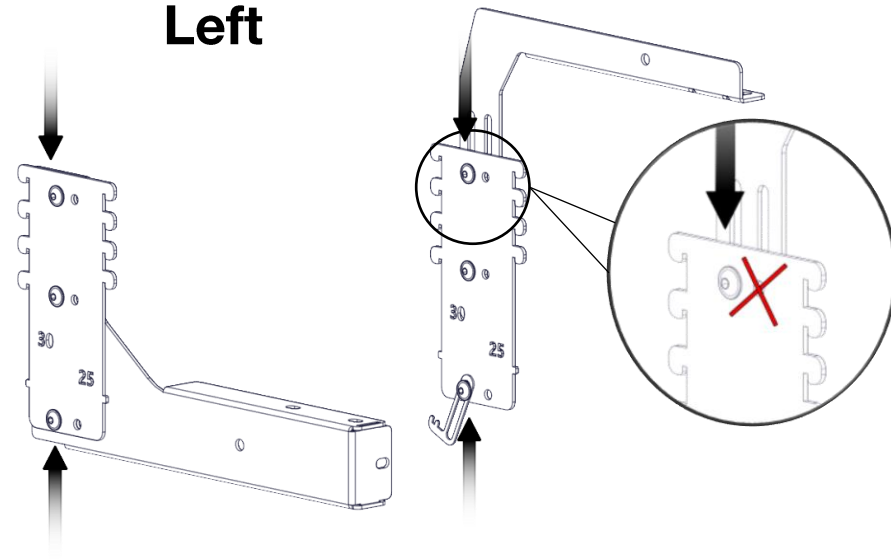


bottom L/R

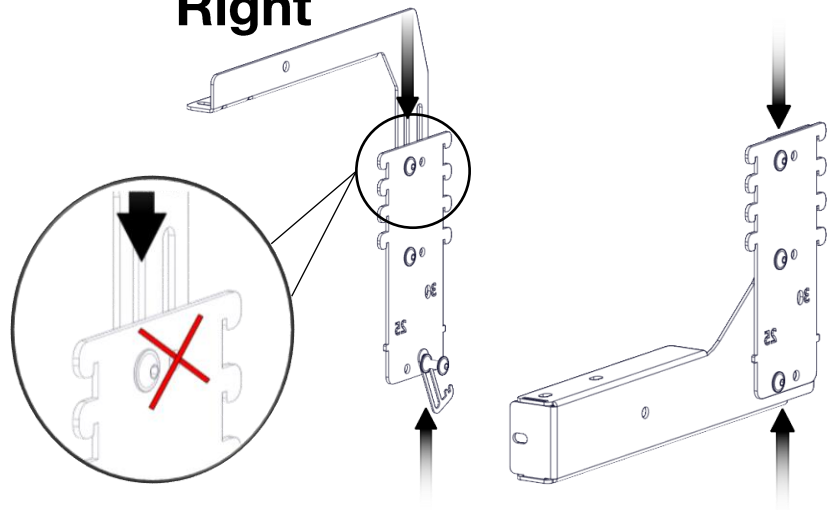
bottom L/R



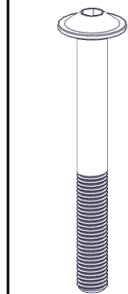
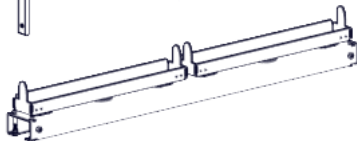
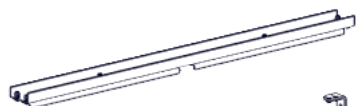
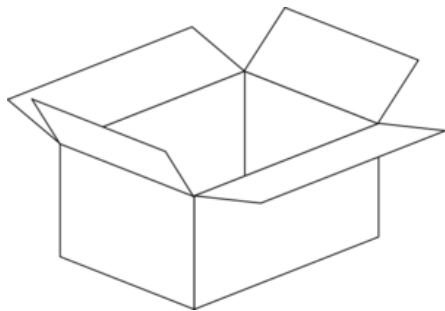
Left



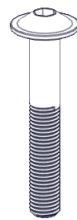
Right



# Installation of frame set Art.No. 0193-01000-0



M8 x 70 ISO 7380-2  
4 x



M8 x 50 ISO 7380-2  
3 x



M8 x 16 ISO 7380-2  
6 x



M8 x 16 DIN 603  
8 x



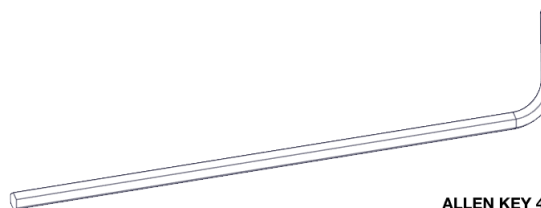
D8 DIN 125  
2 x



RIVET NUT M8  
4 x



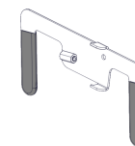
M8 DIN 934  
10 x



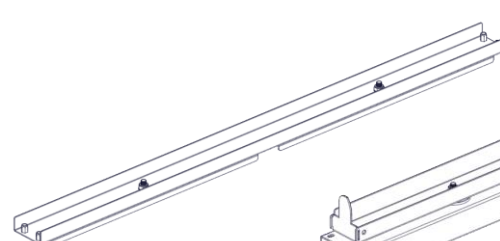
ALLEN KEY 4  
1 x



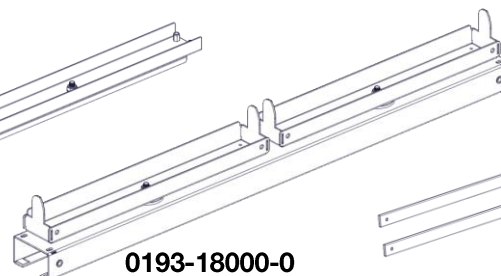
0193-60000-0  
1 x



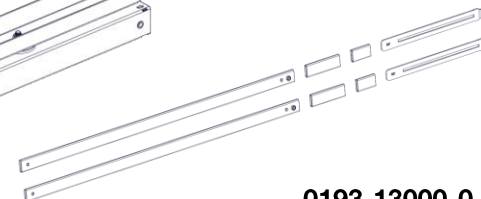
0193-30000-0  
2 x



0193-11000-0  
1 x

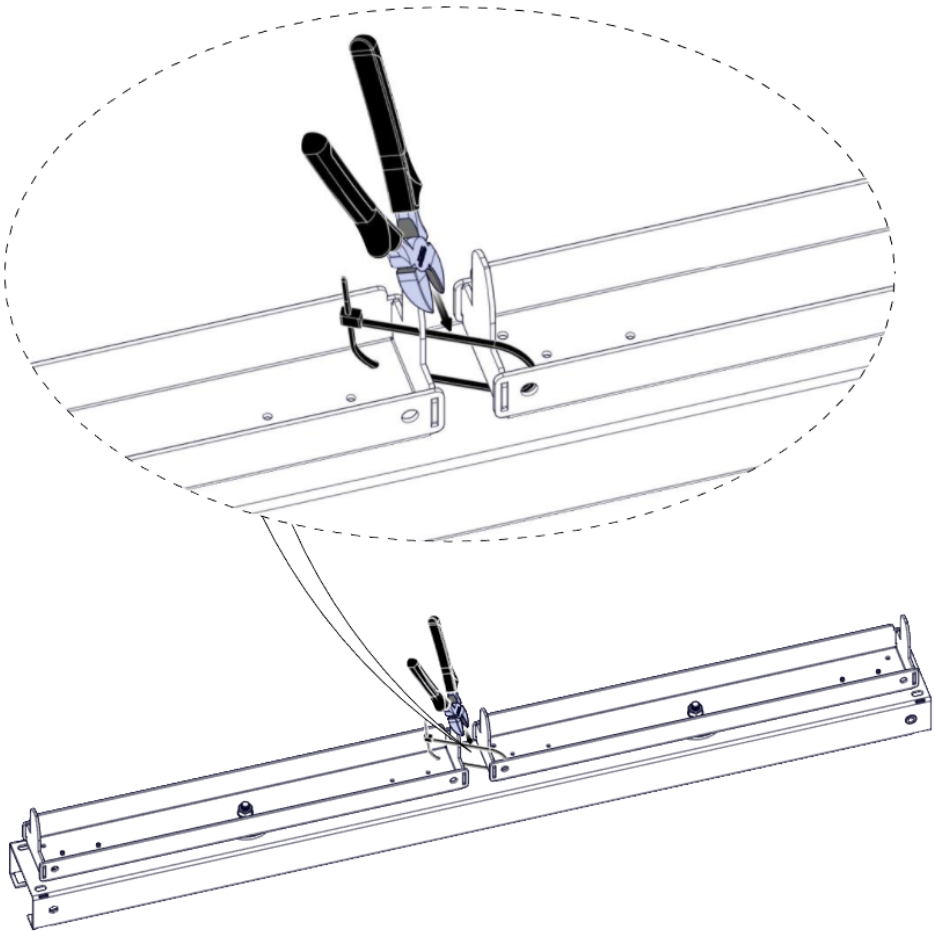


0193-18000-0  
1 x



0193-13000-0  
2 x

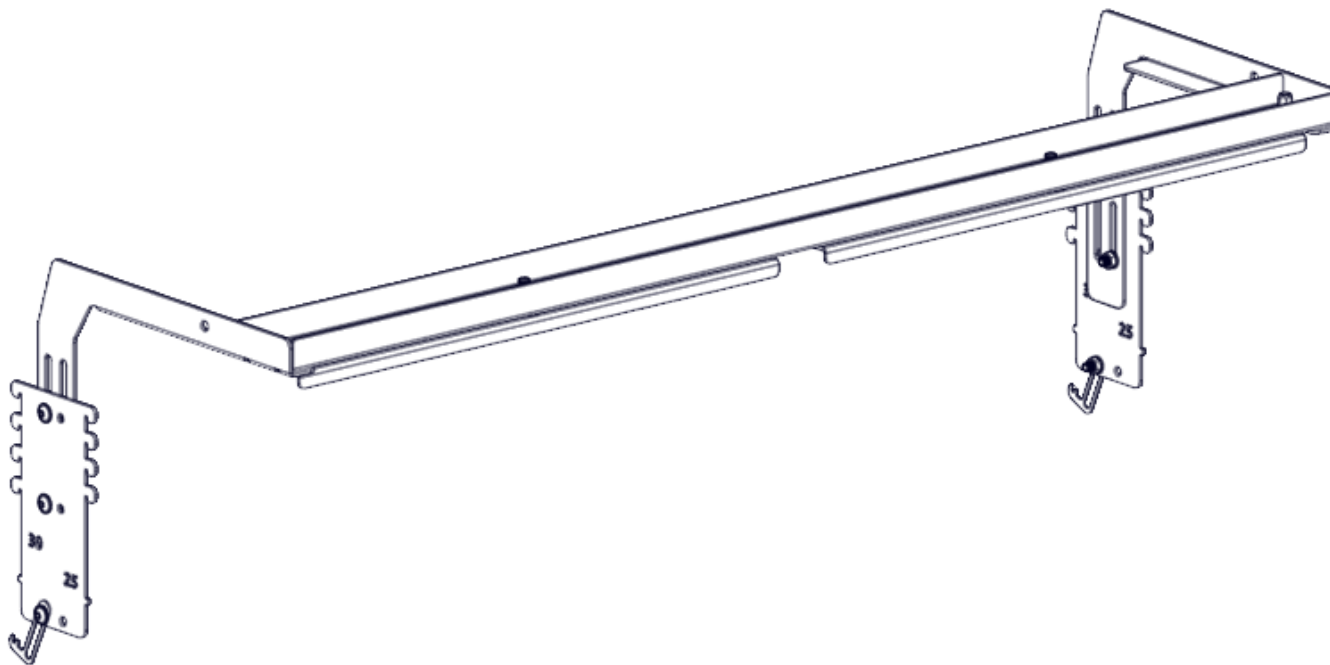
Art.No. 0193-18000-0



Art.No. 0193-11000-0

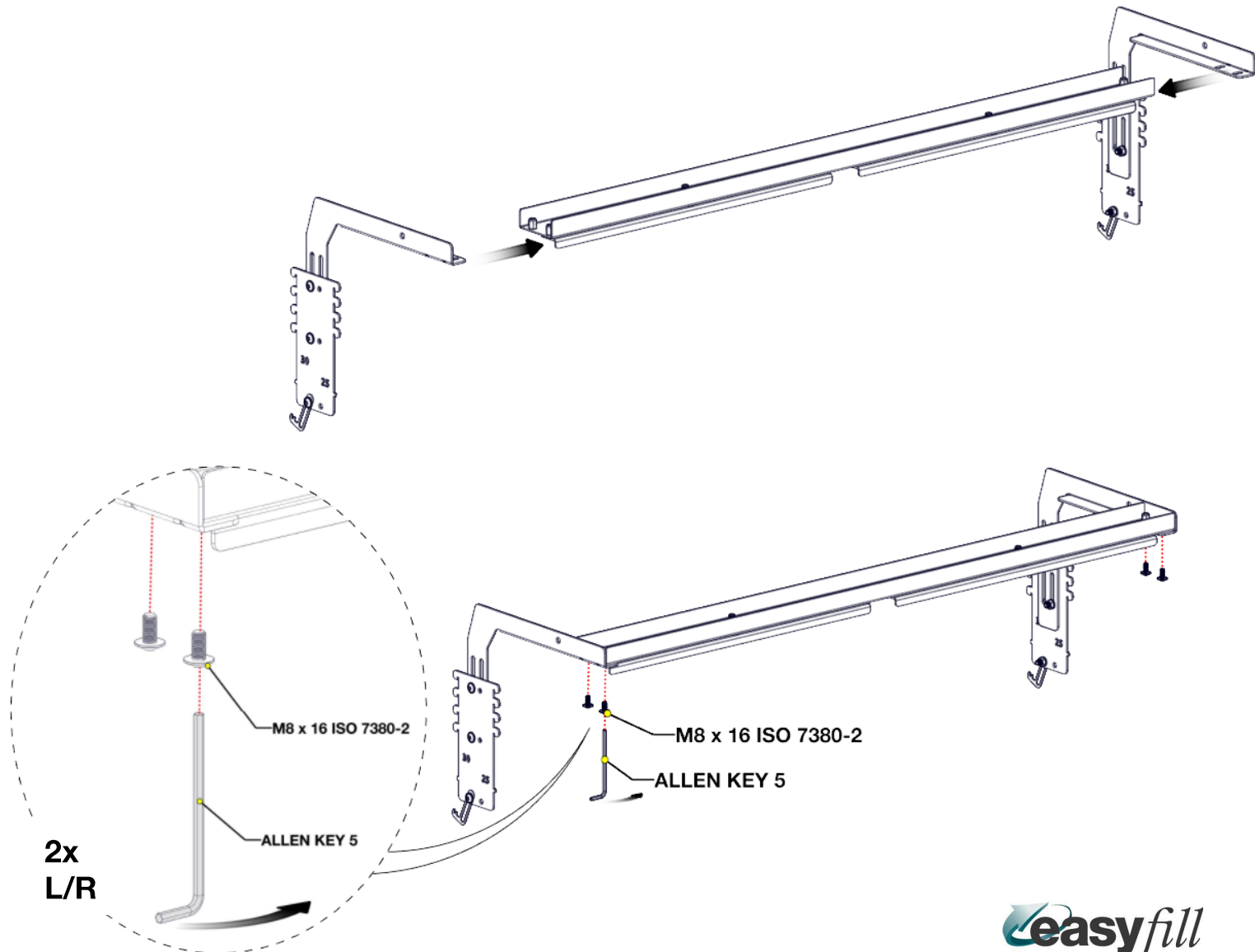


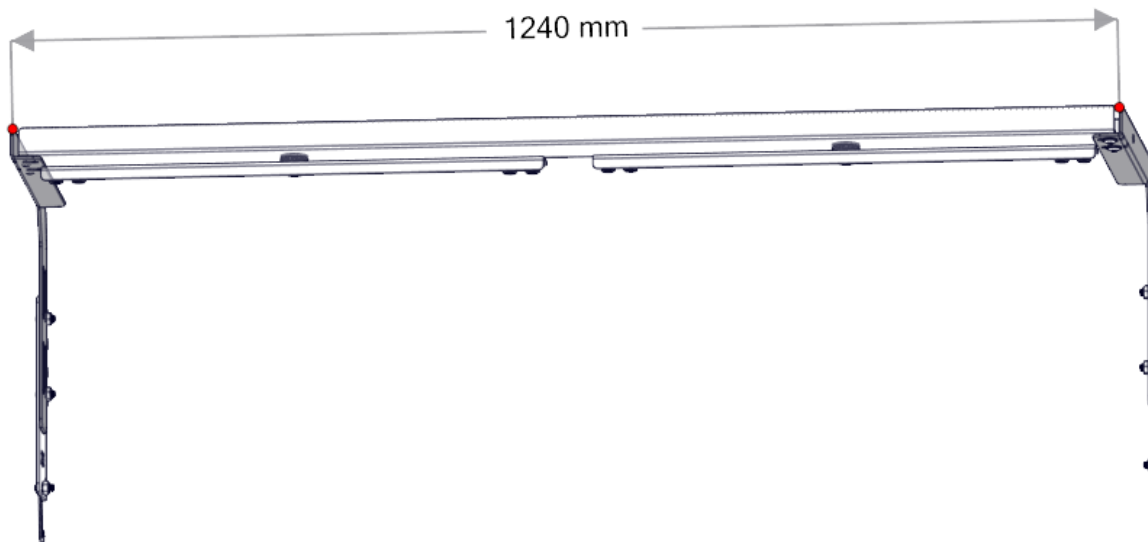
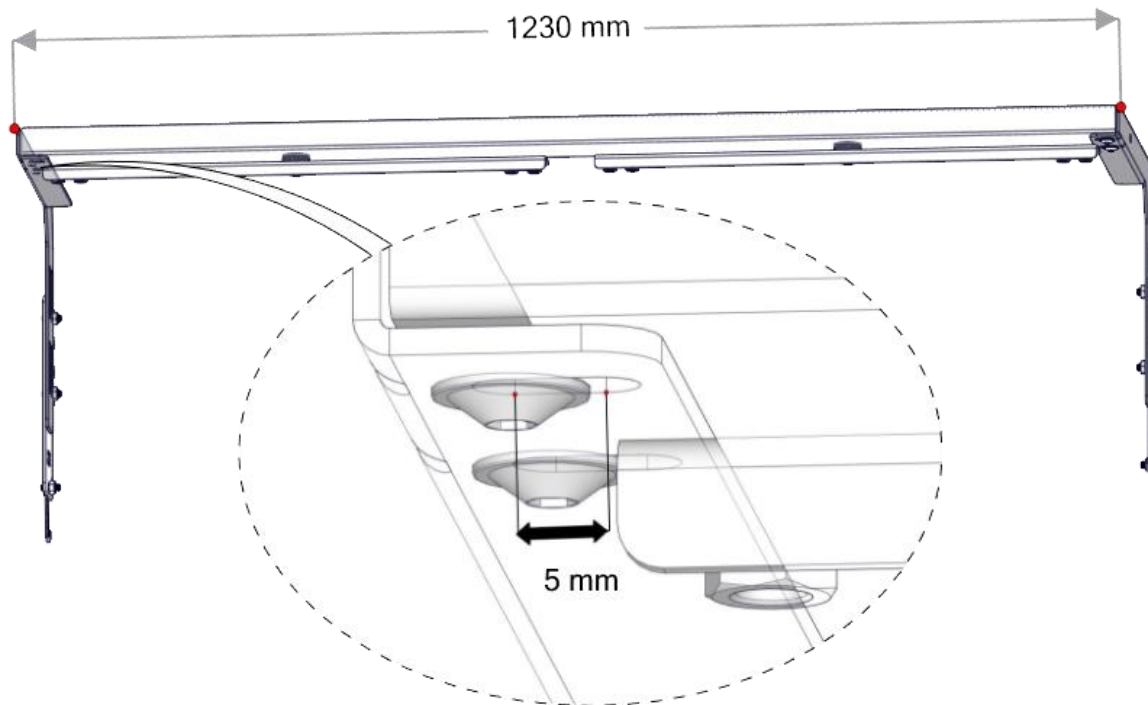
# Installation of top part Art.No. 0193-11000-0



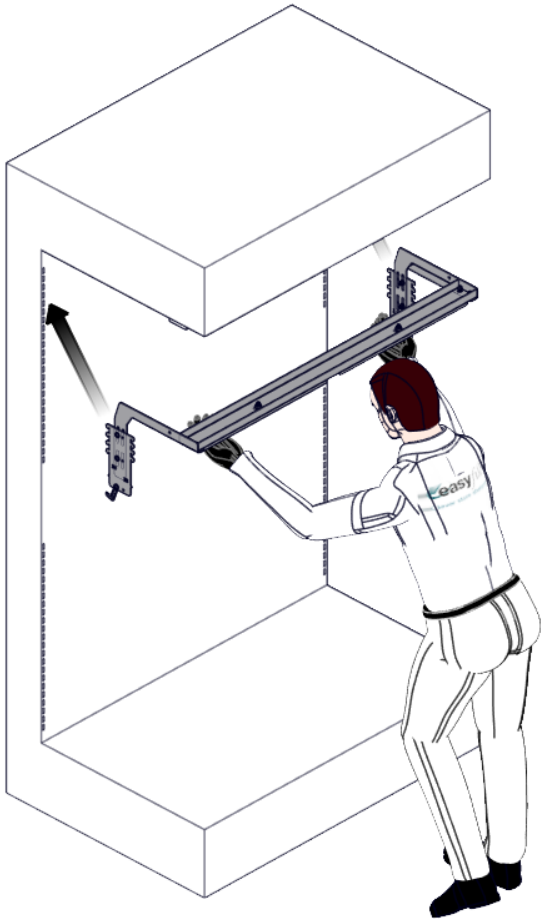


# Art.No. 0193-11000-0 + top brackets

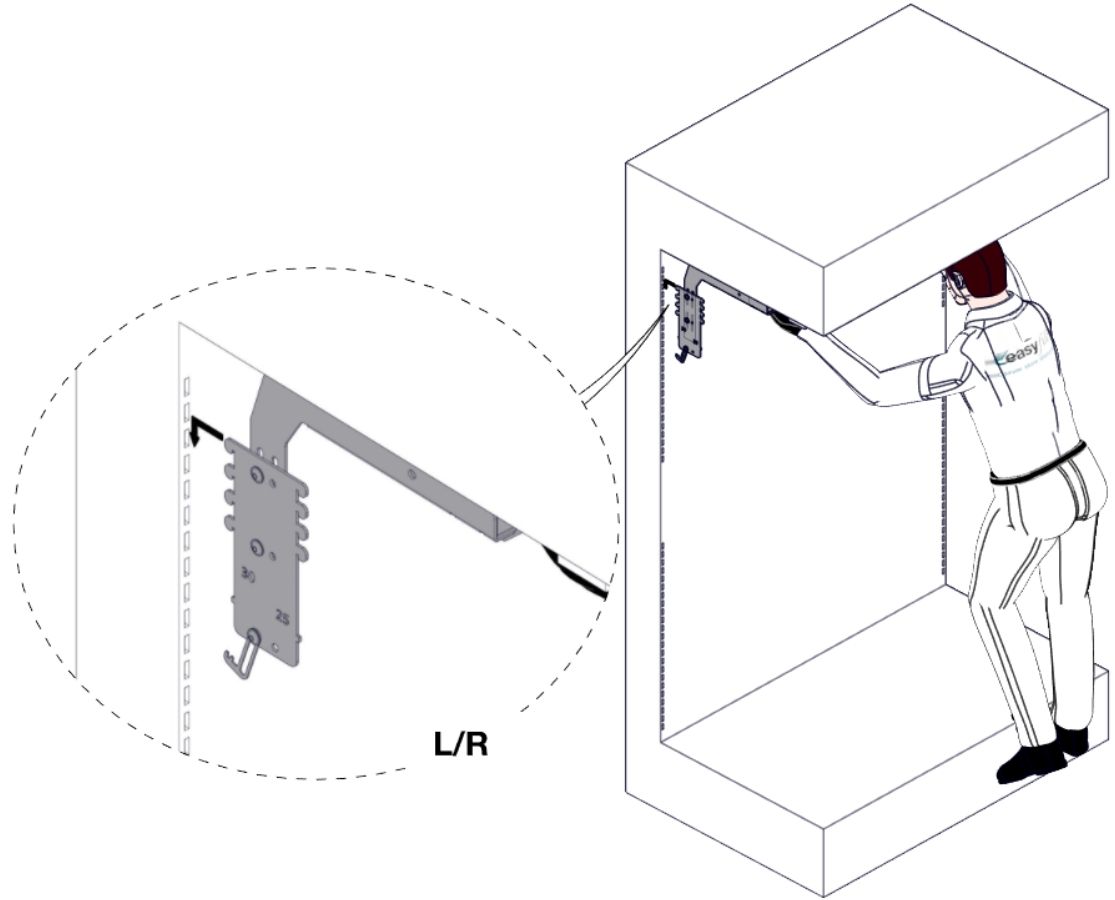




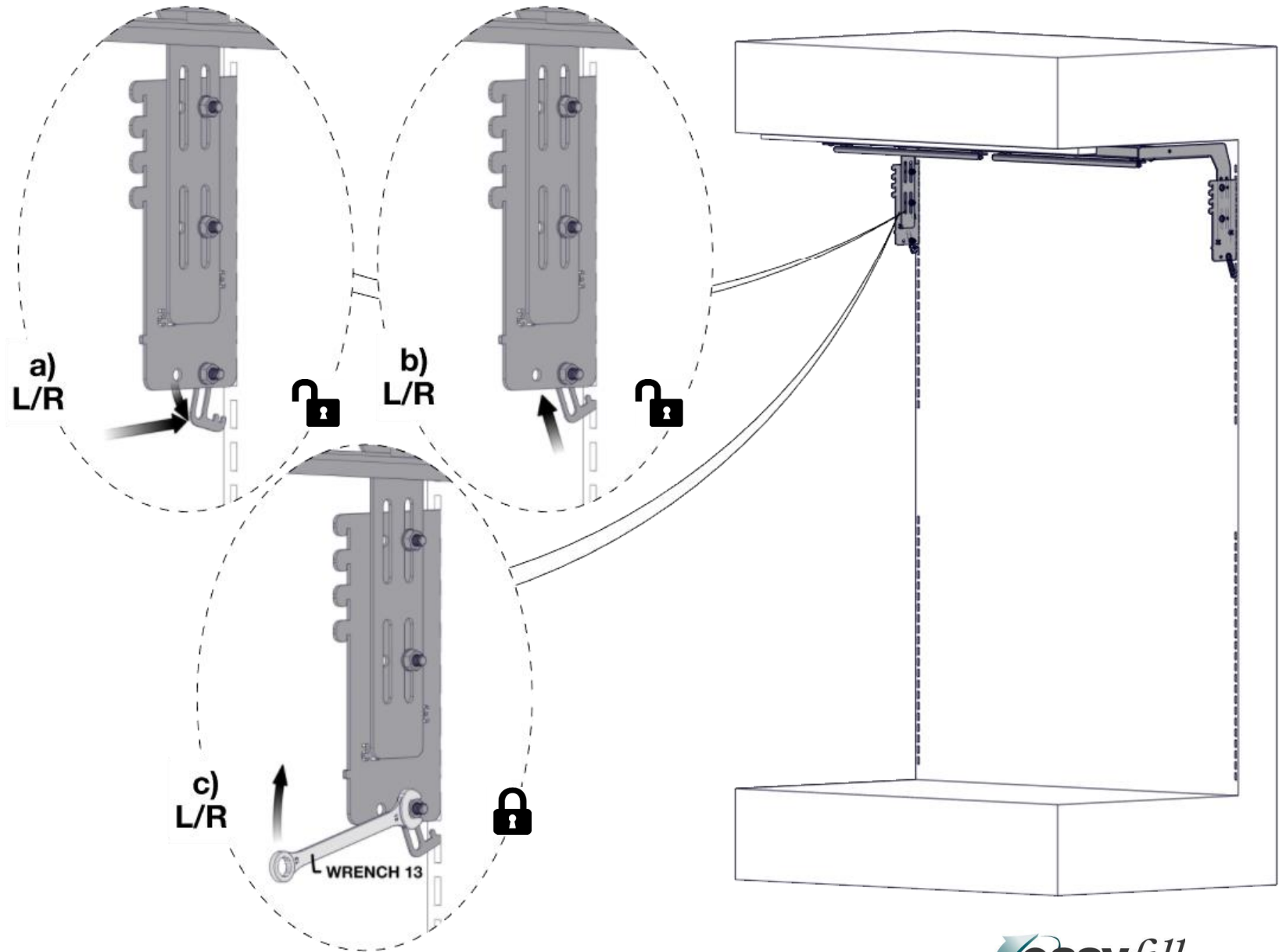
1



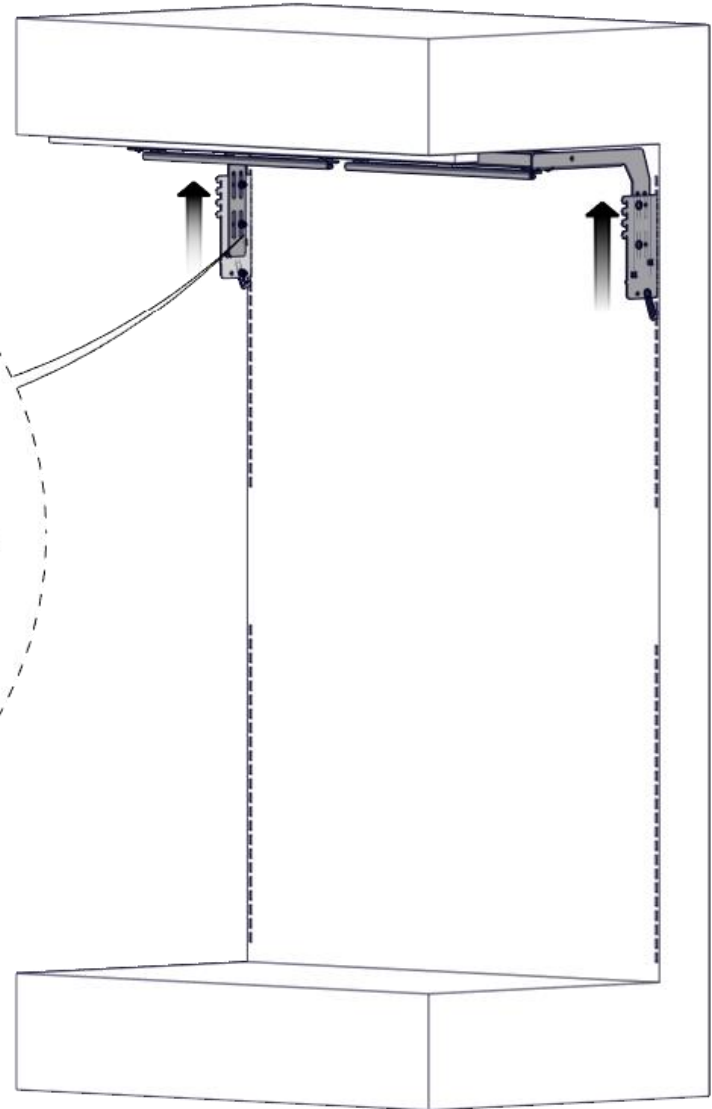
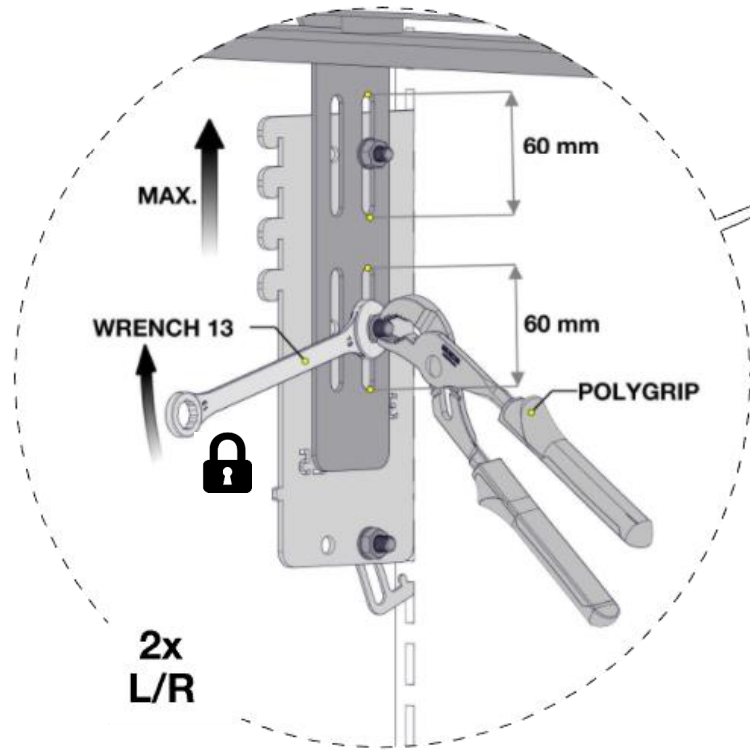
2



3

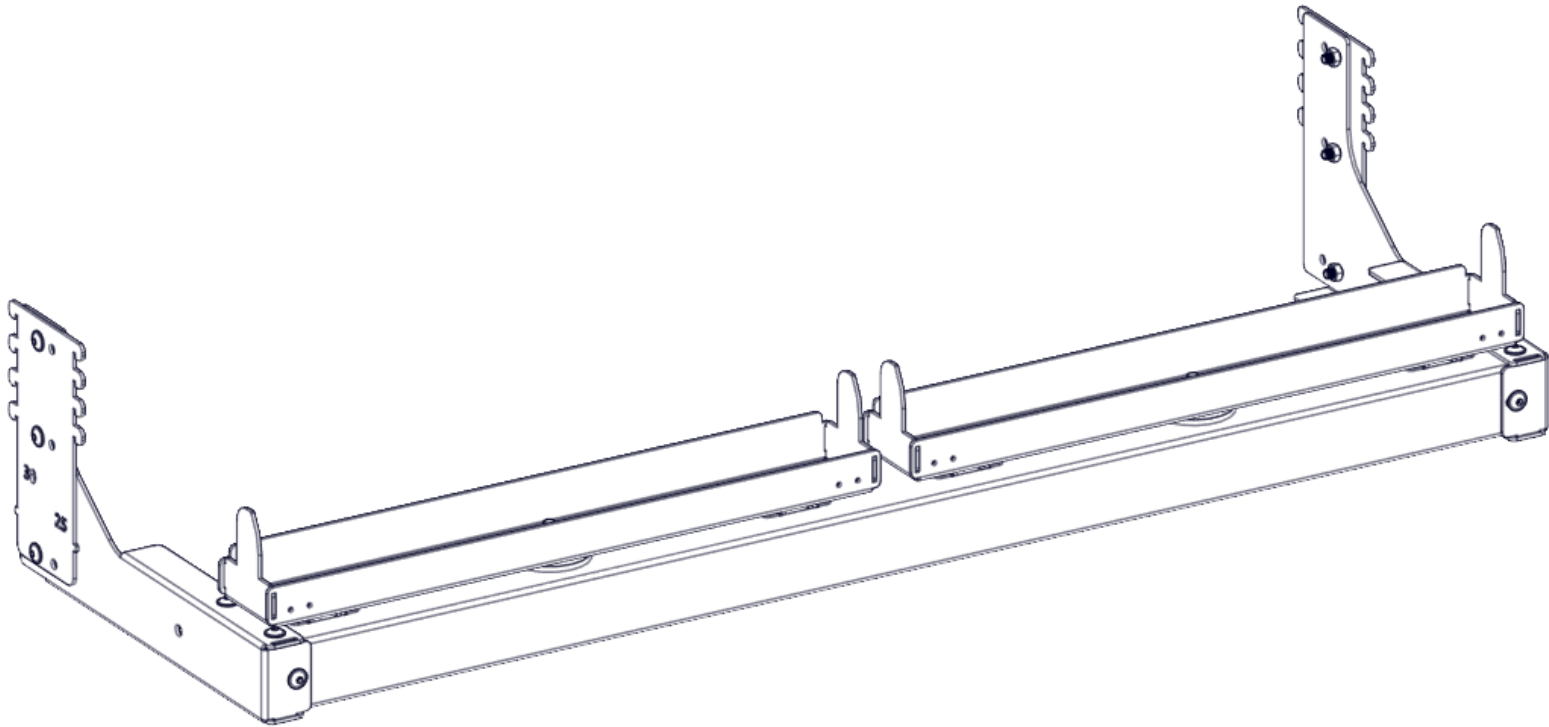


4

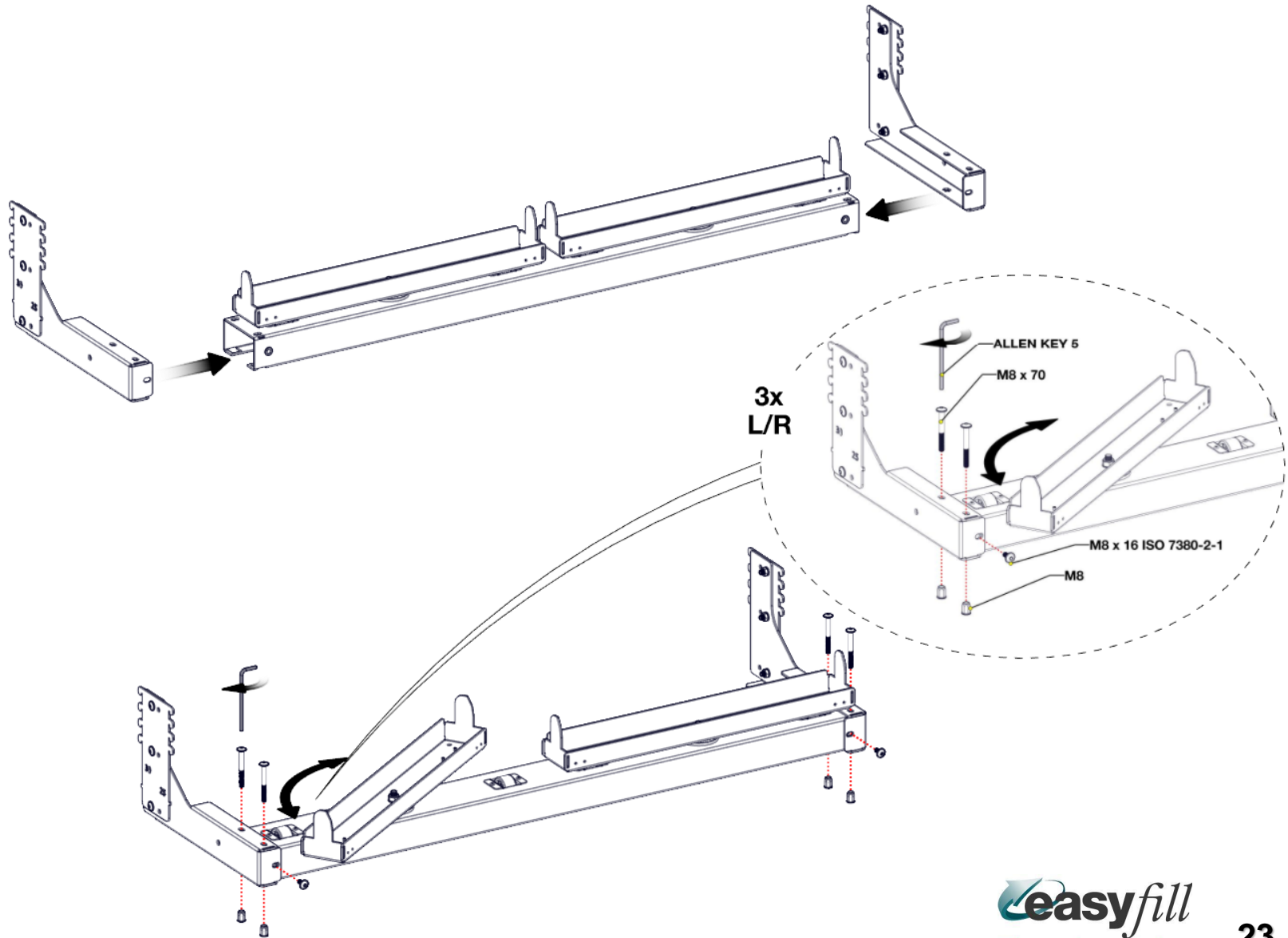


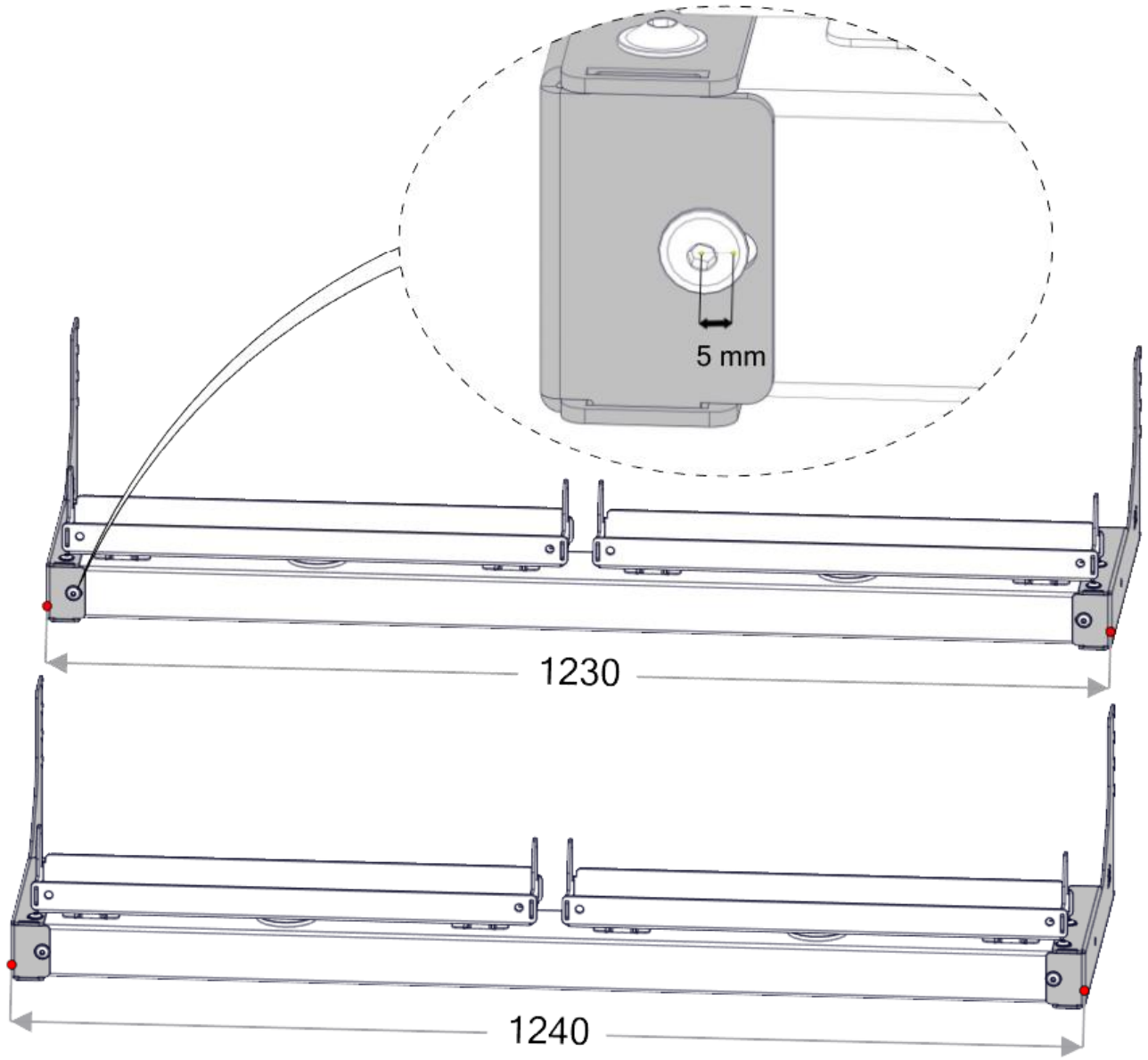
# Installation of bottom part

## Art.No. 0193-18000-0



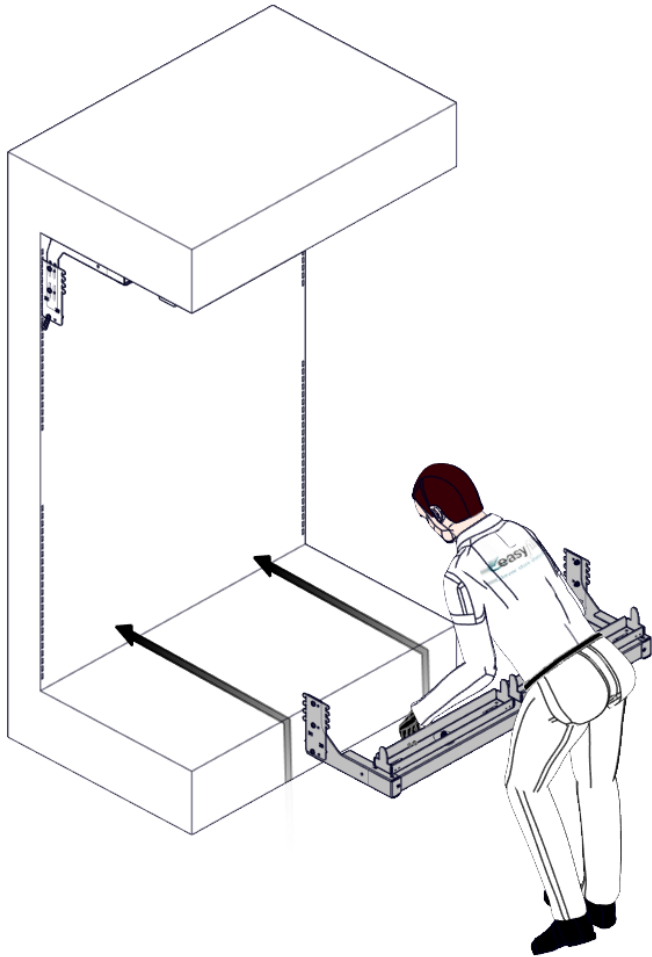
# Art.No. 0193-18000-0 + bottom brackets



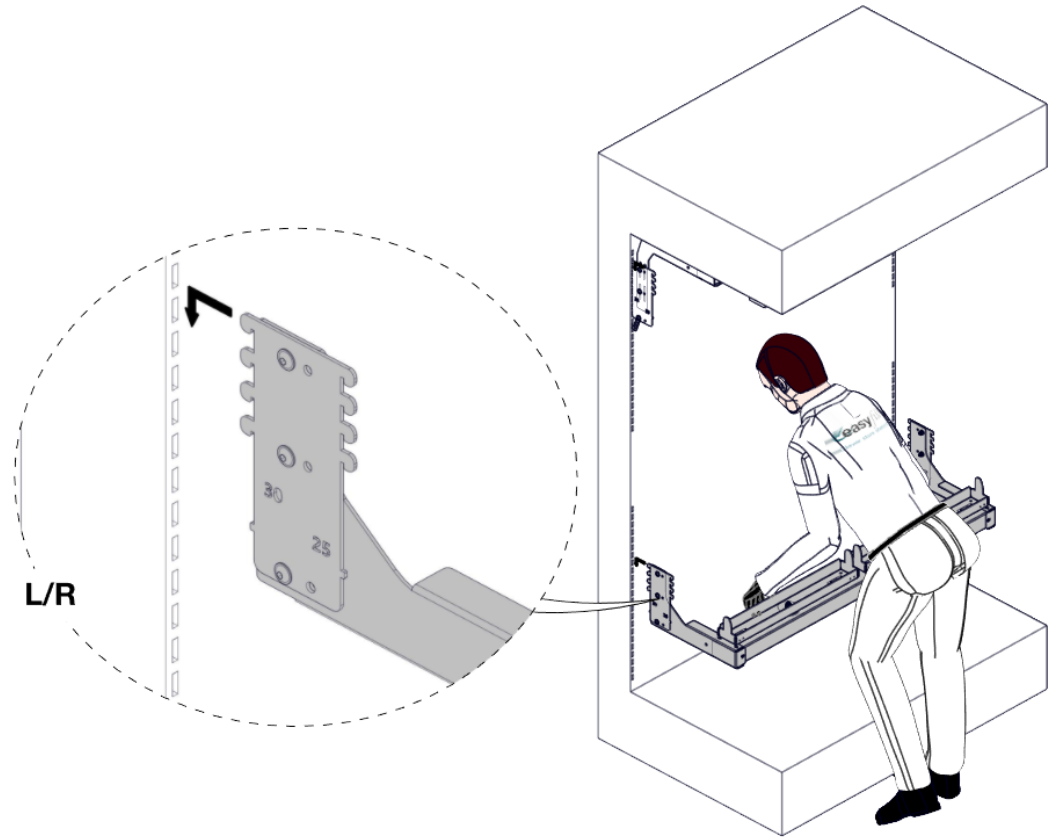




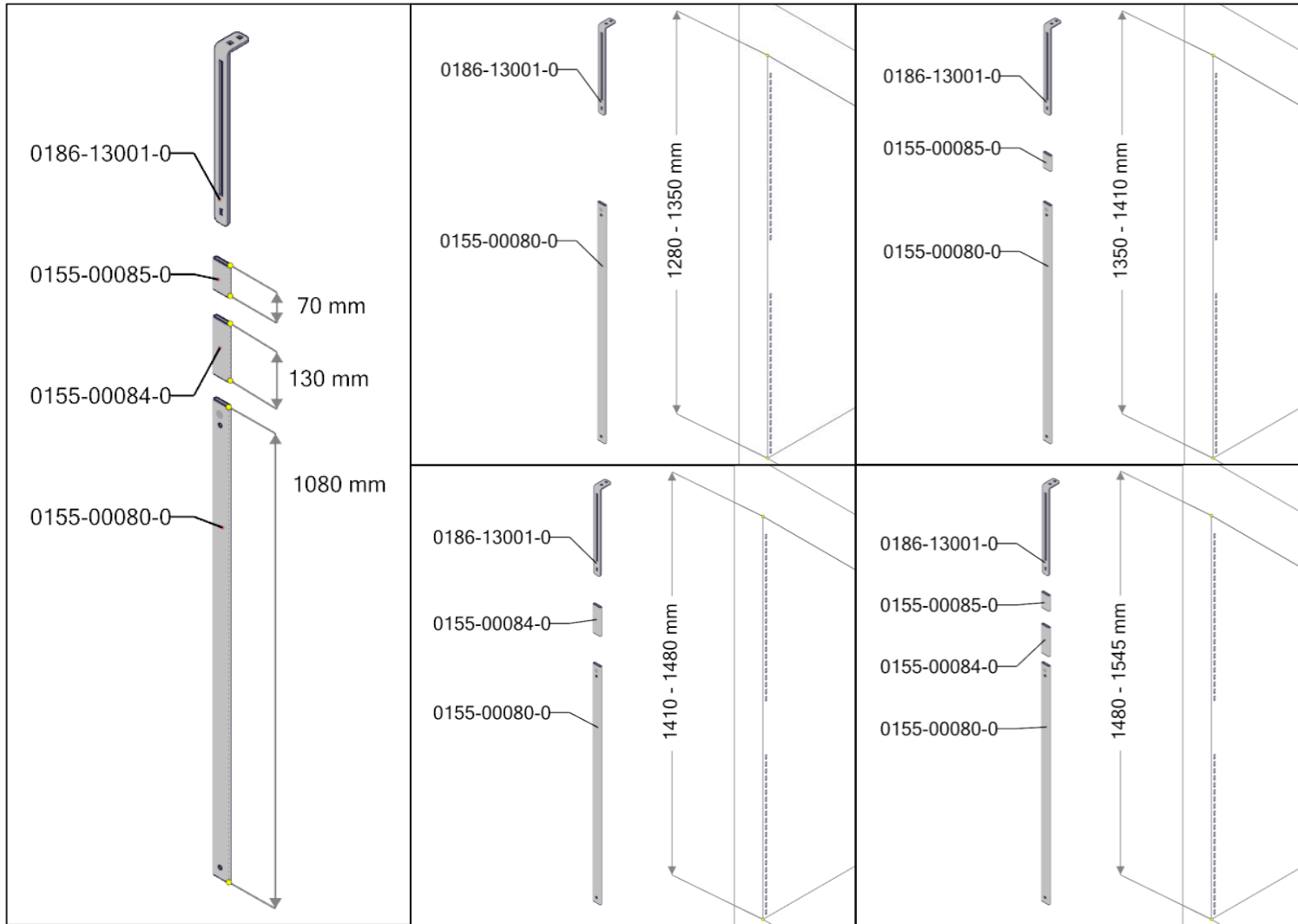
5



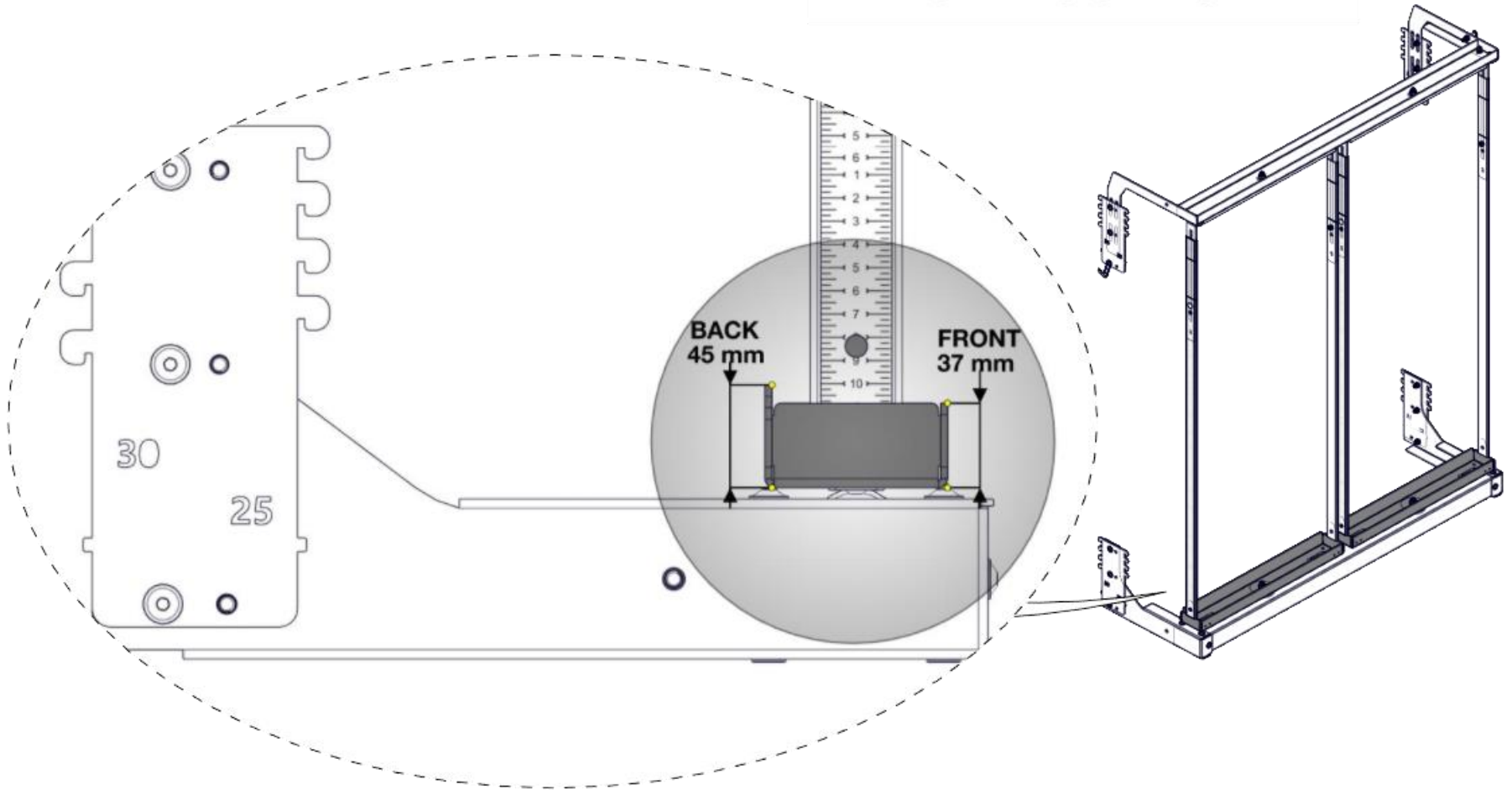
6



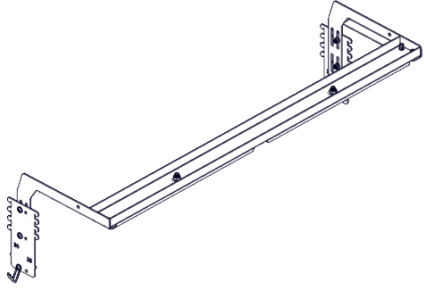
# Adjustable frame – 0193-13000-0



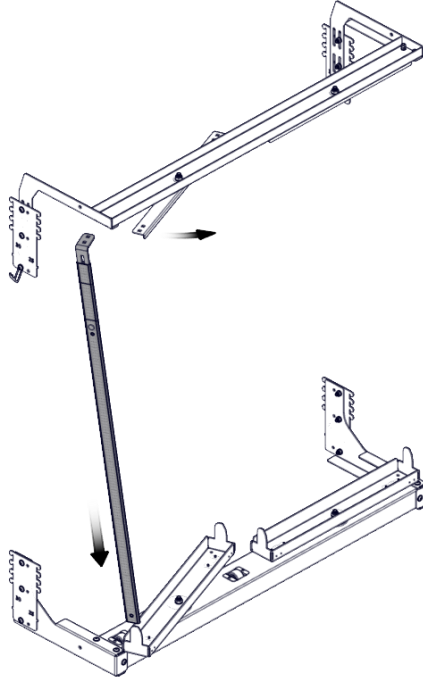
# ! BASE POSITION !



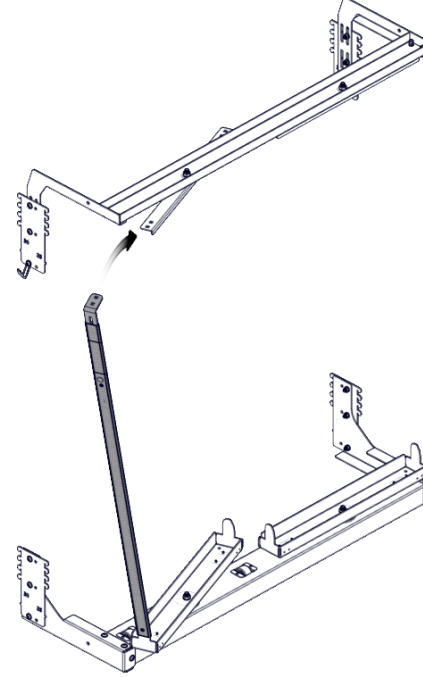
7



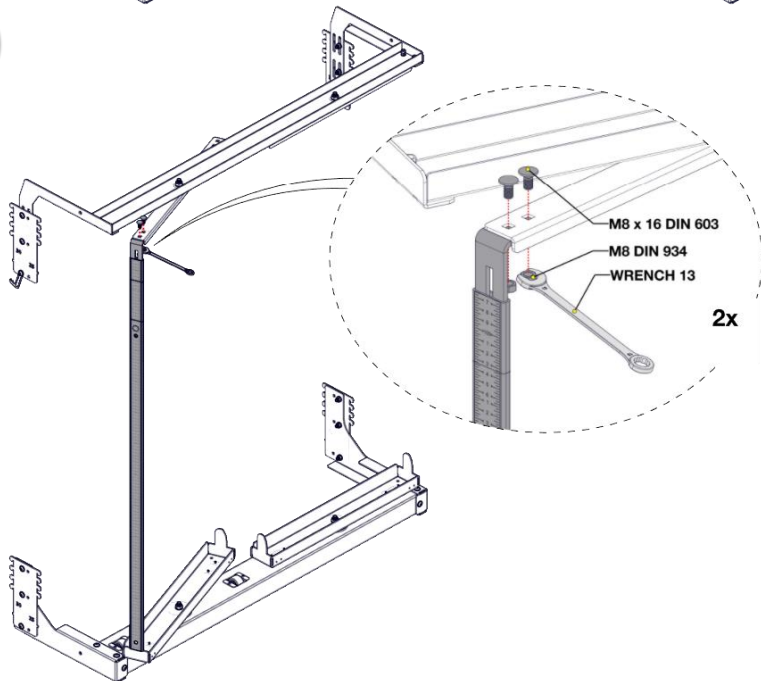
8



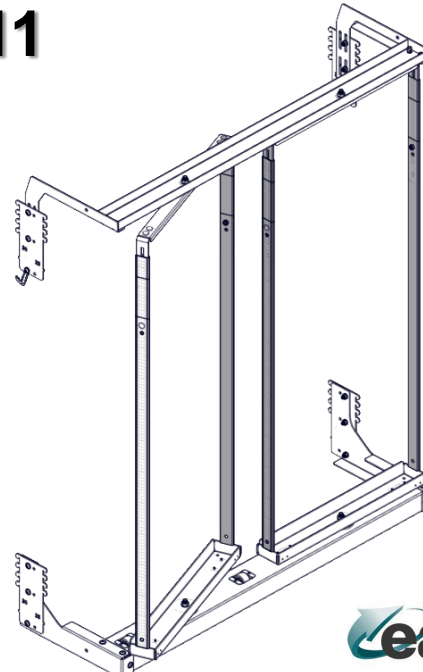
9



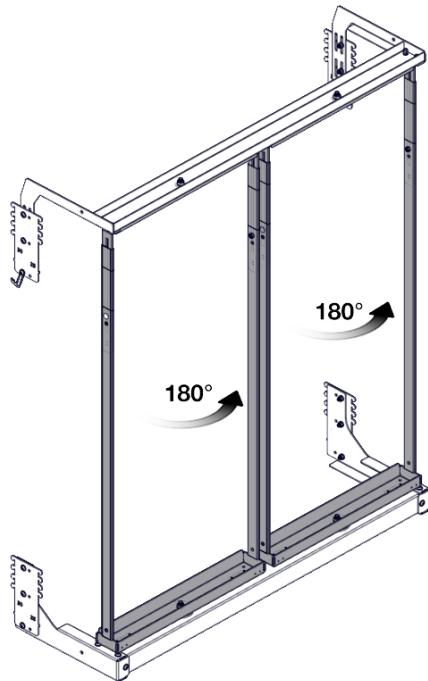
10



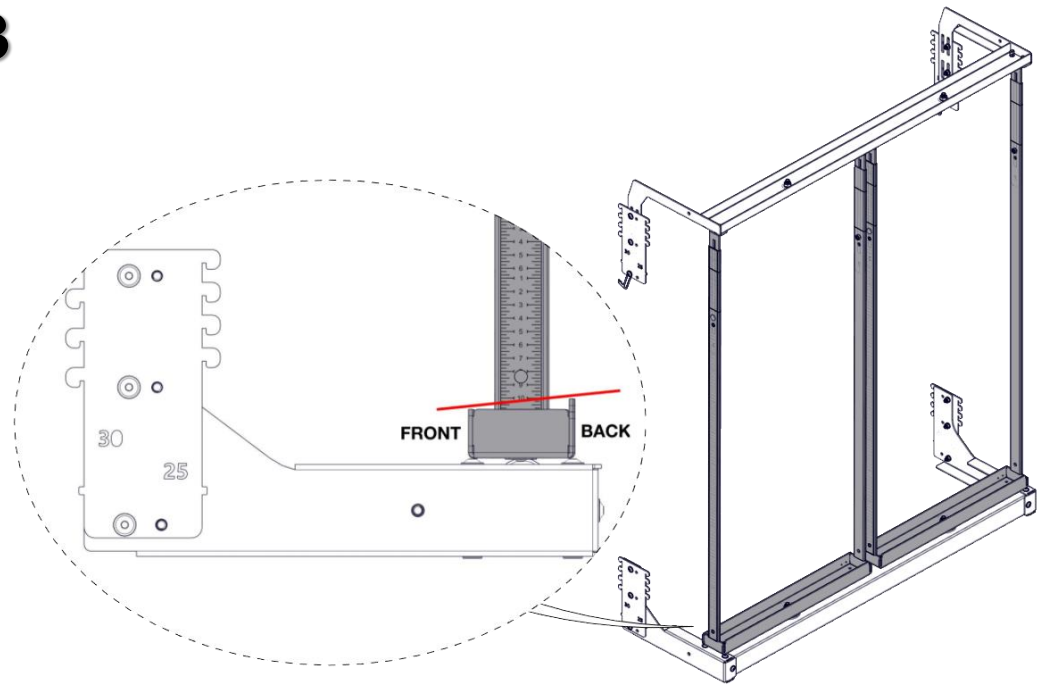
11

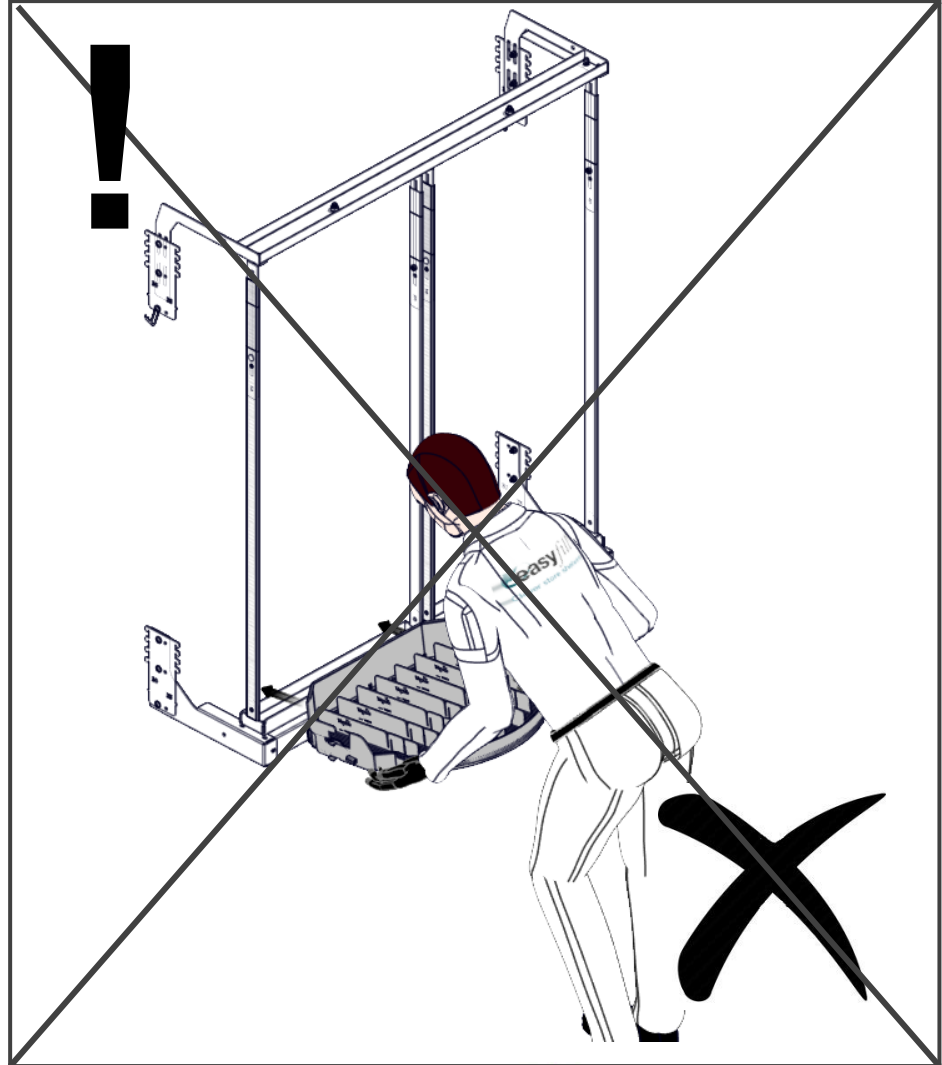
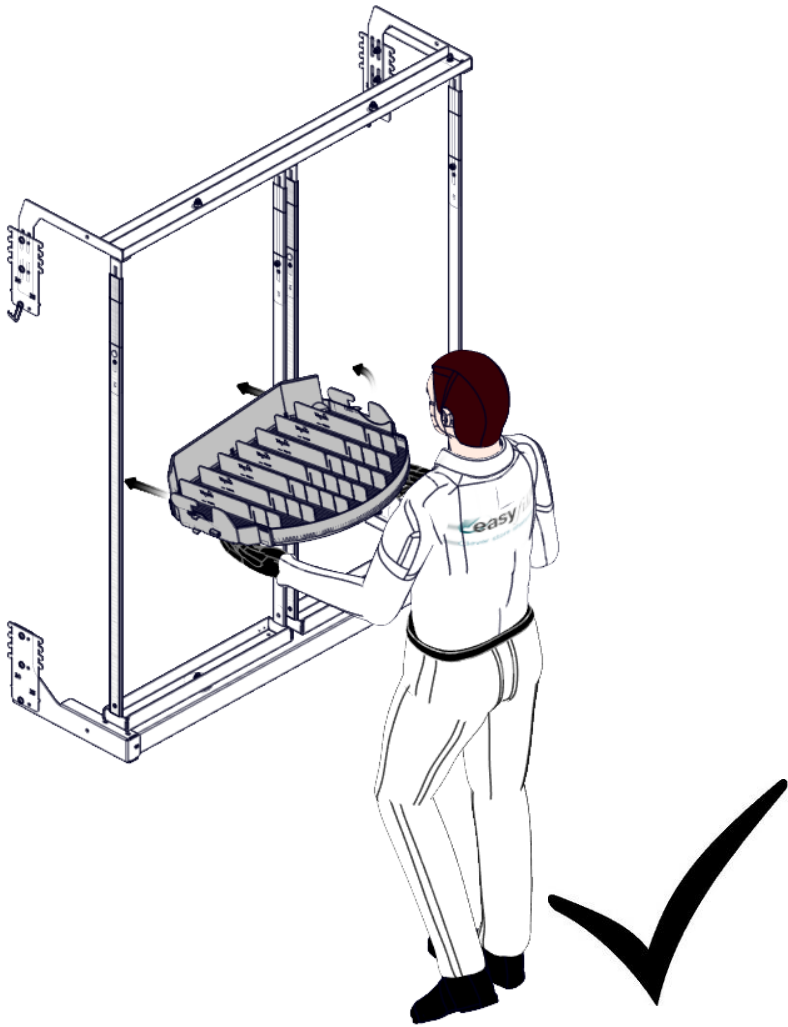


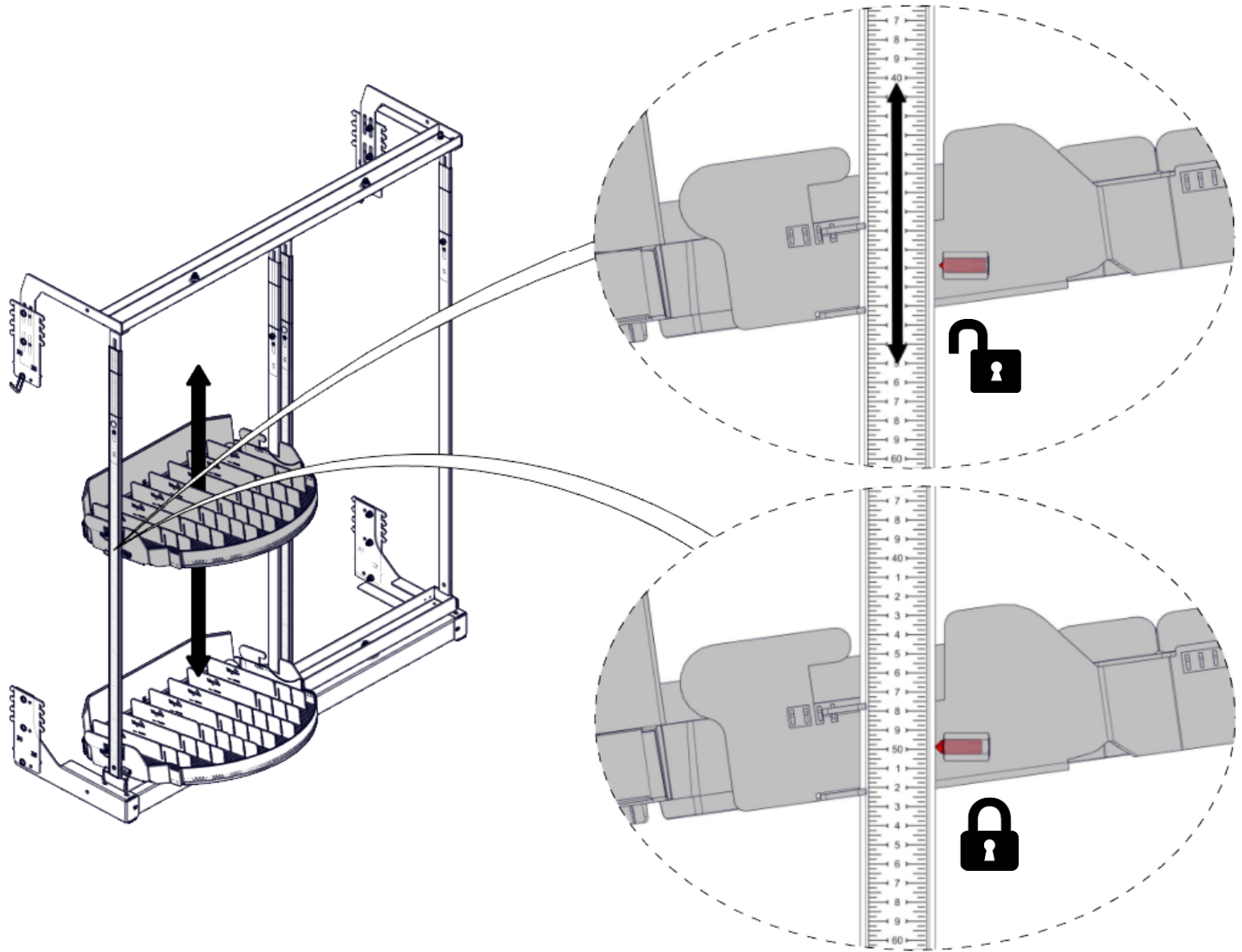
12

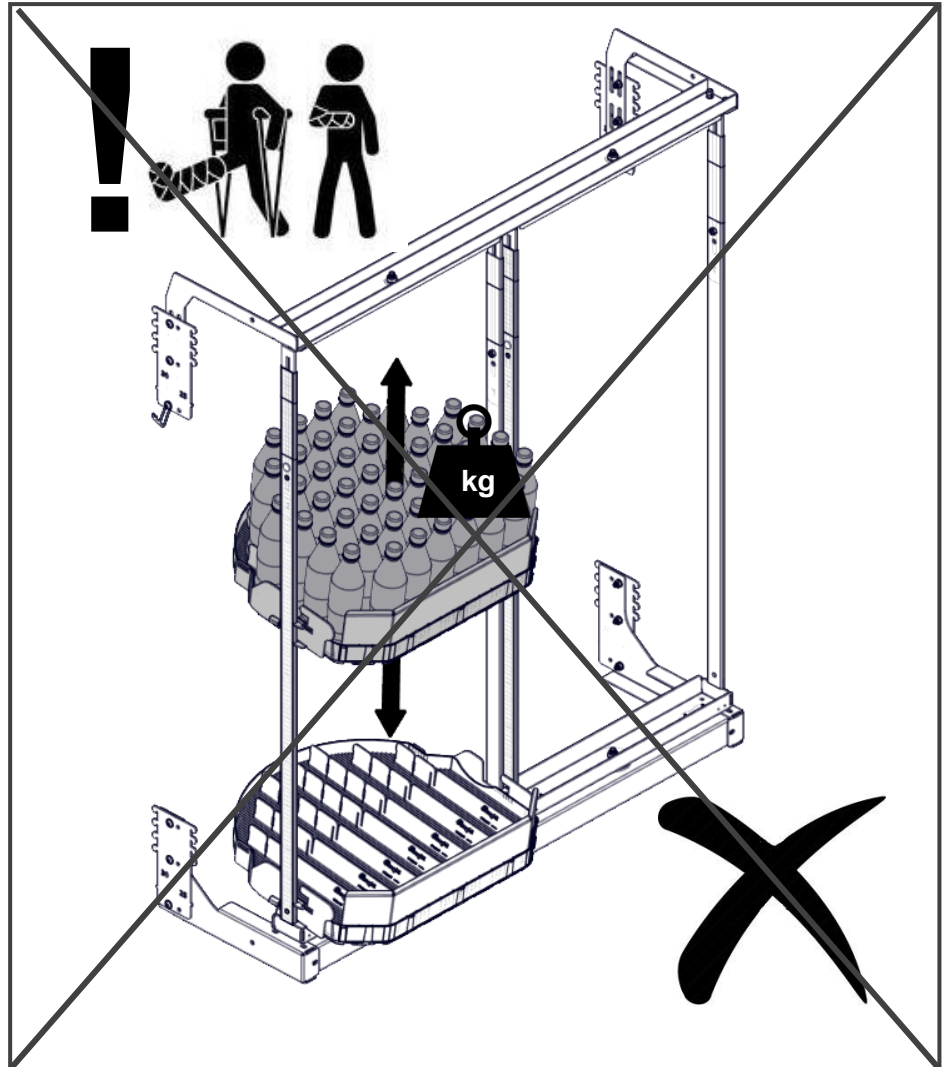
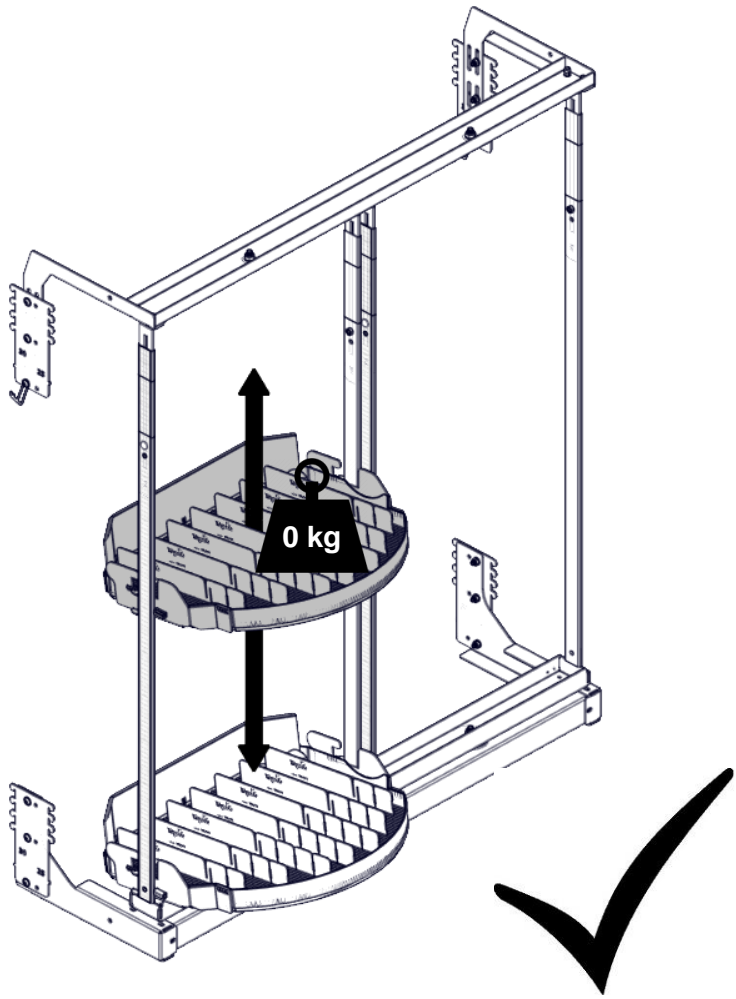


13



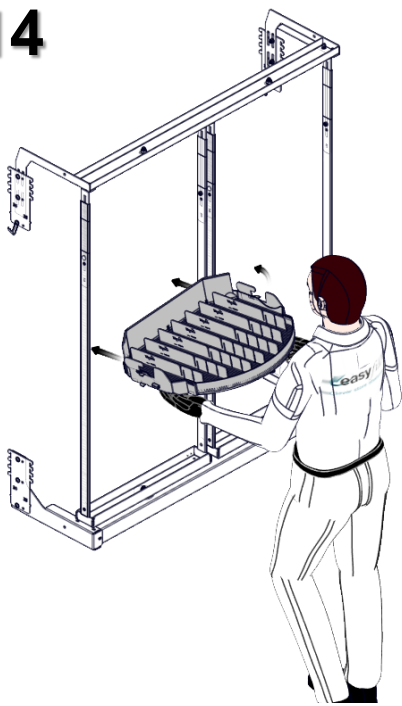




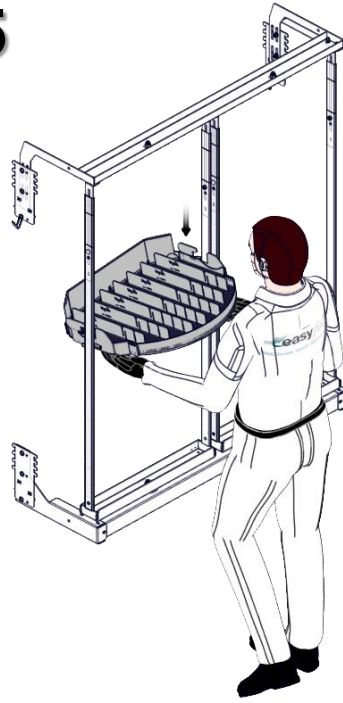




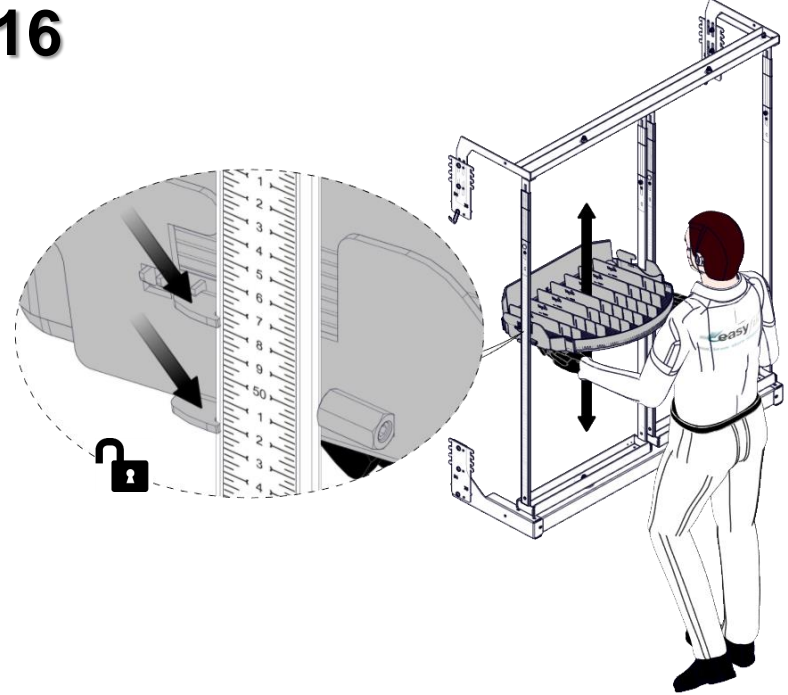
14



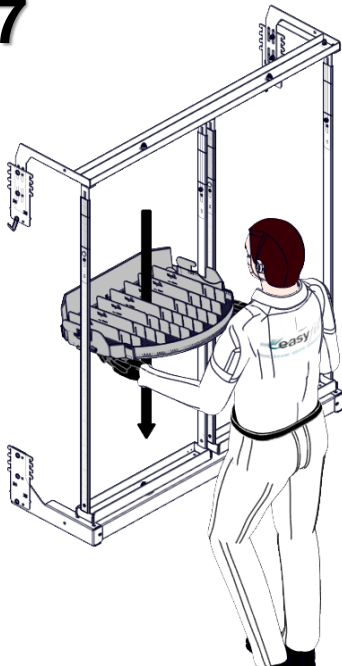
15



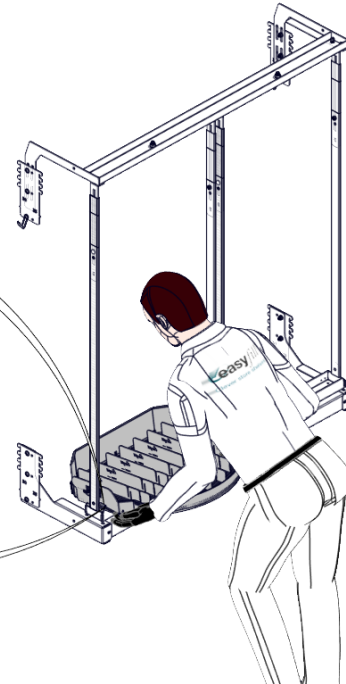
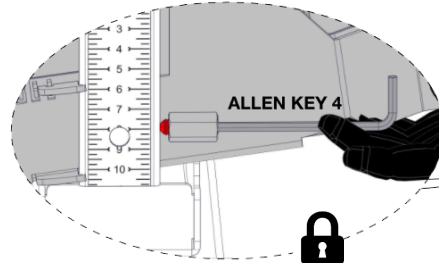
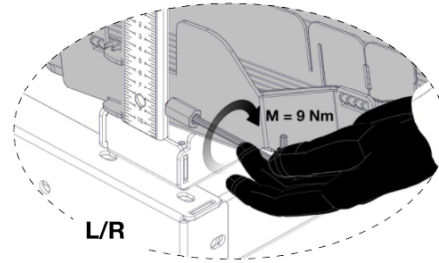
16



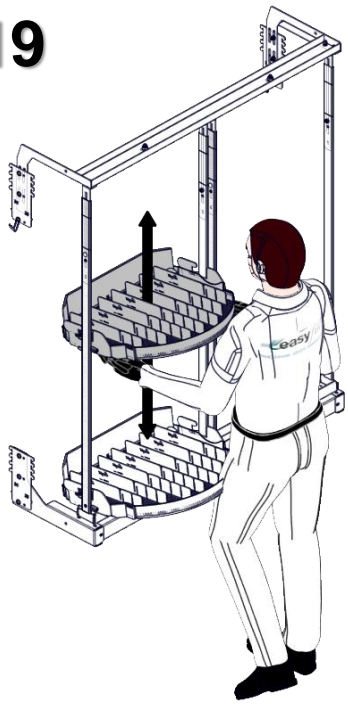
17



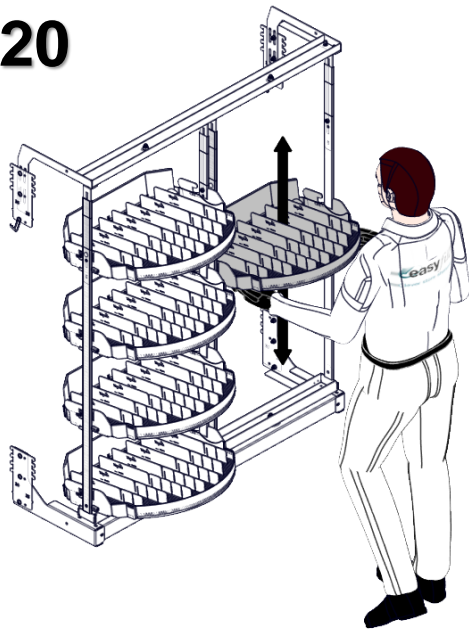
18



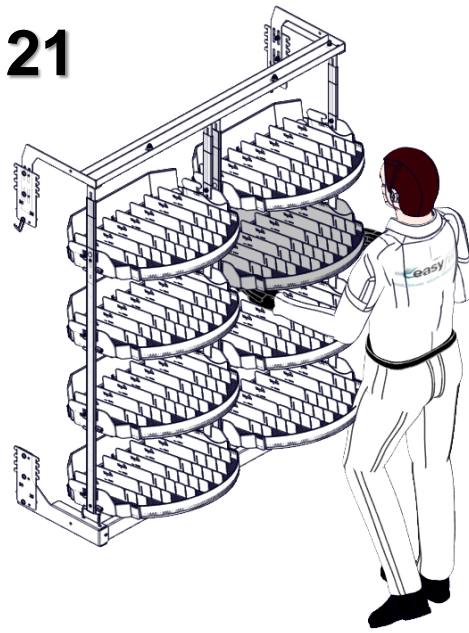
19



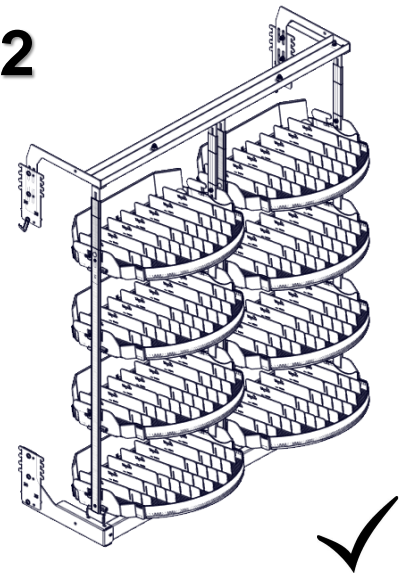
20



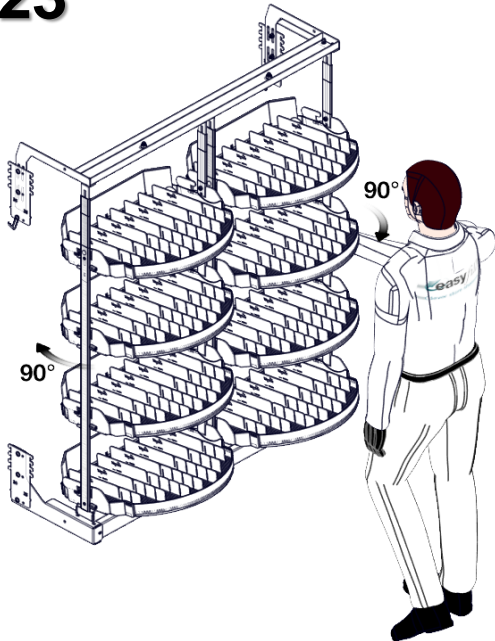
21



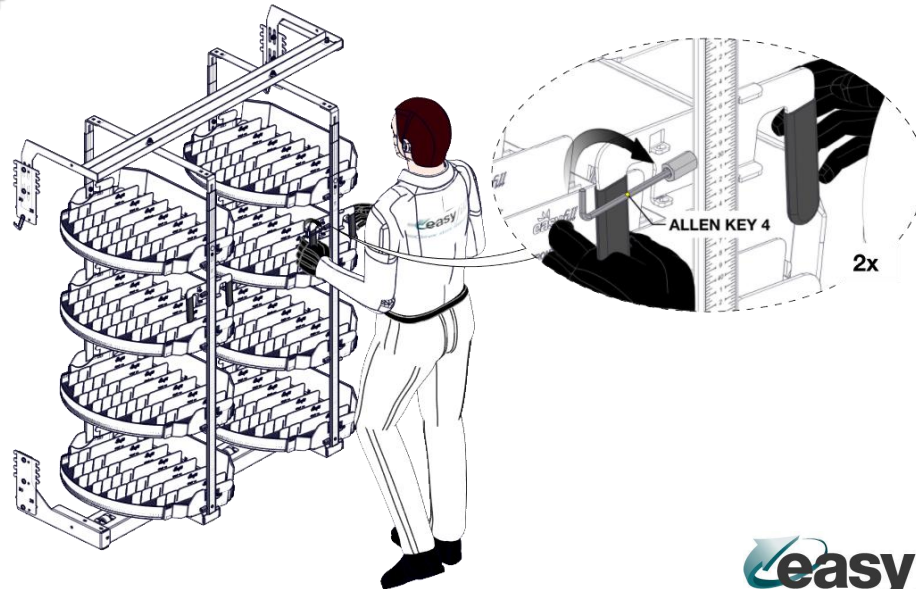
22



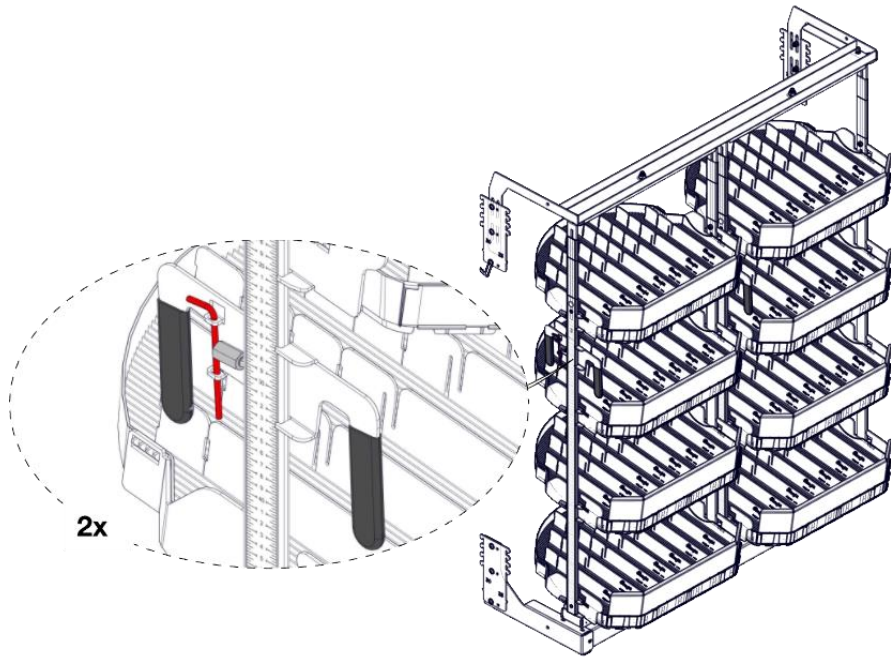
23



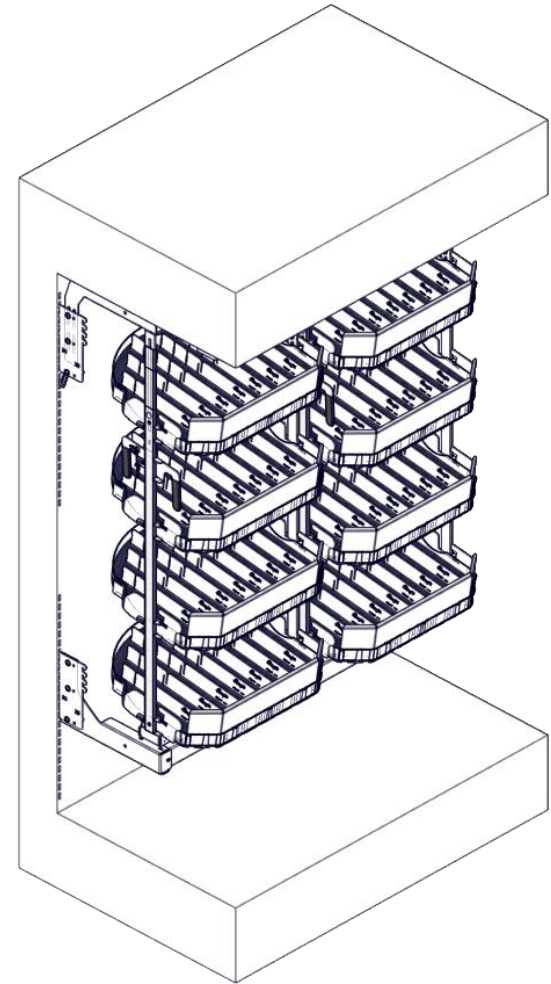
24



25



26



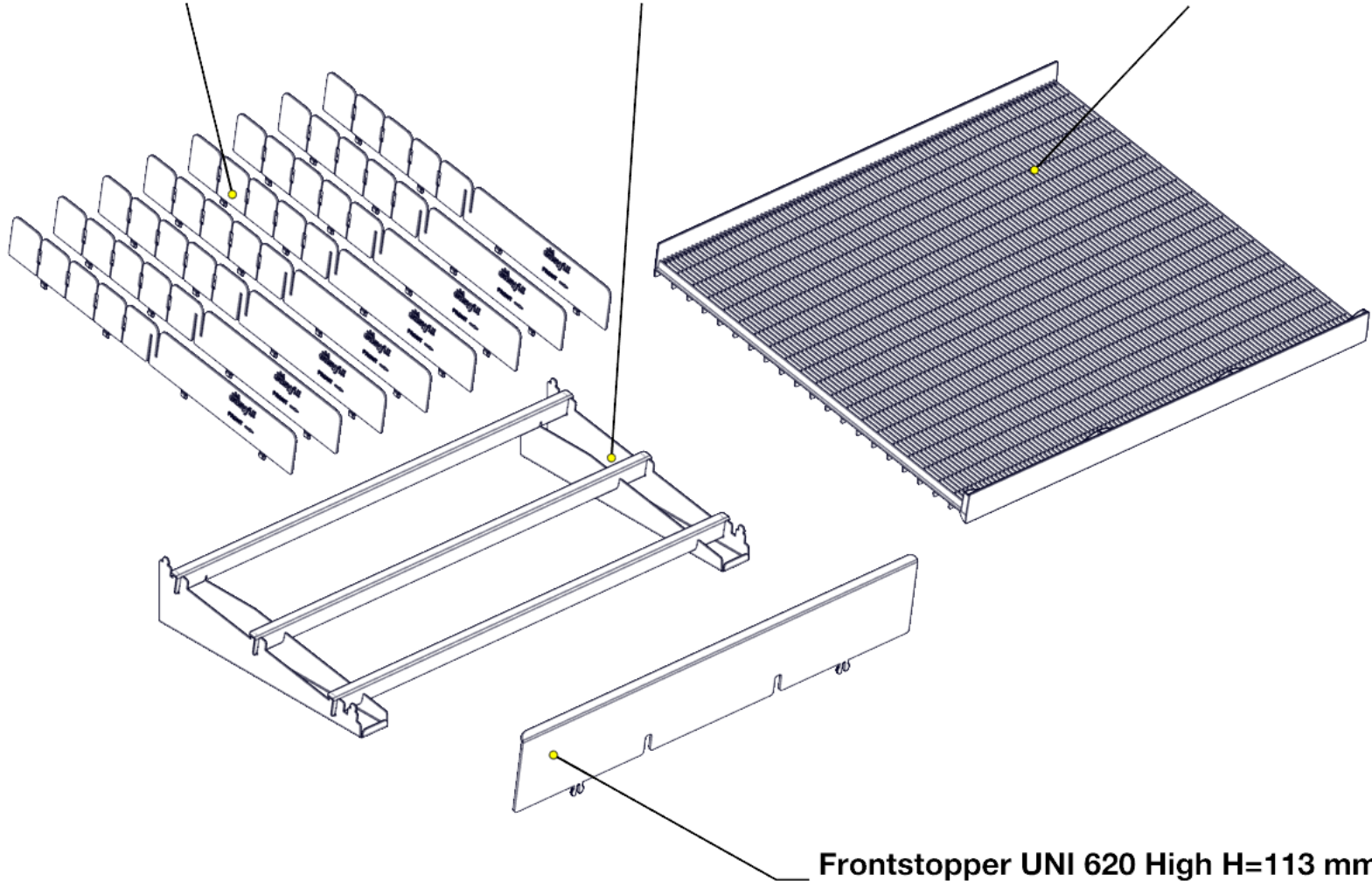
# SET Art.No. 100514

## Art.No. 0193-70000-0 (2x)

Divider EasyFill Uni 620  
Art. No 400476

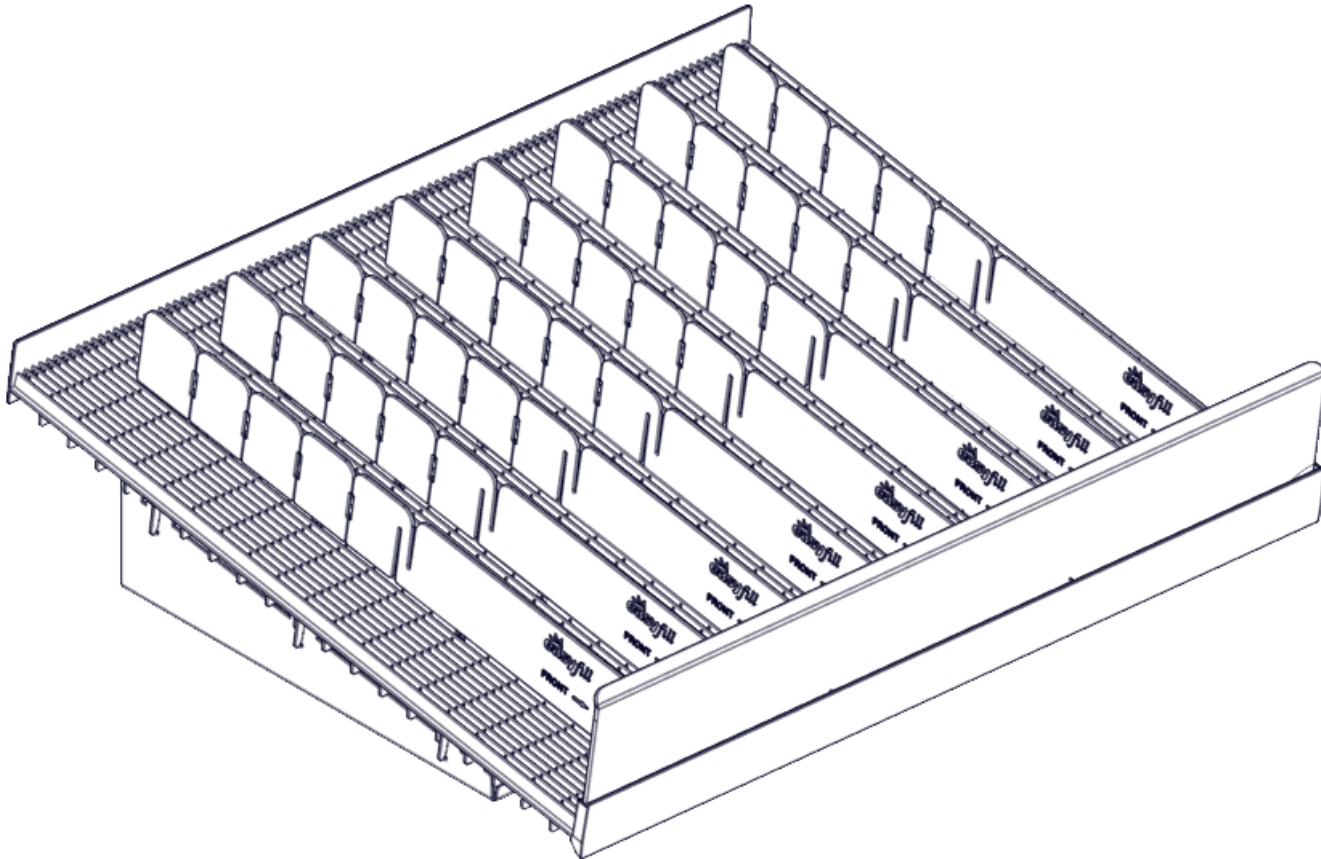
Bottom Shelf  
Art. No 0155-44100-0

Shelf Universal 620 Gray  
Art. No 400394

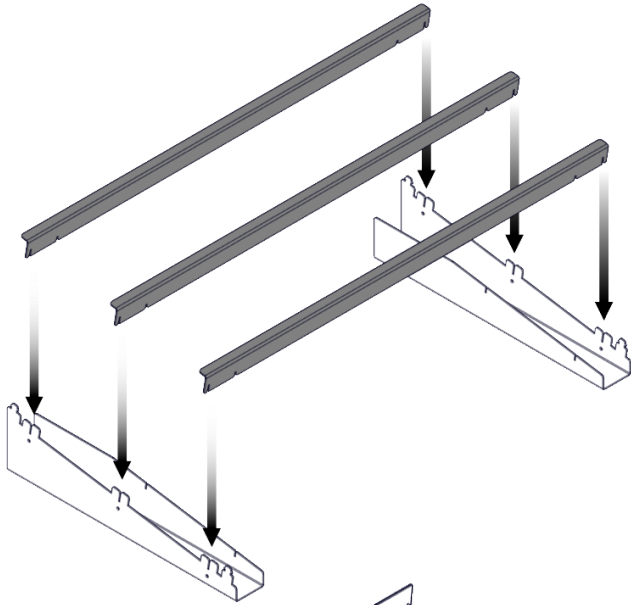


Frontstopper UNI 620 High H=113 mm  
Art. No 0620-00113

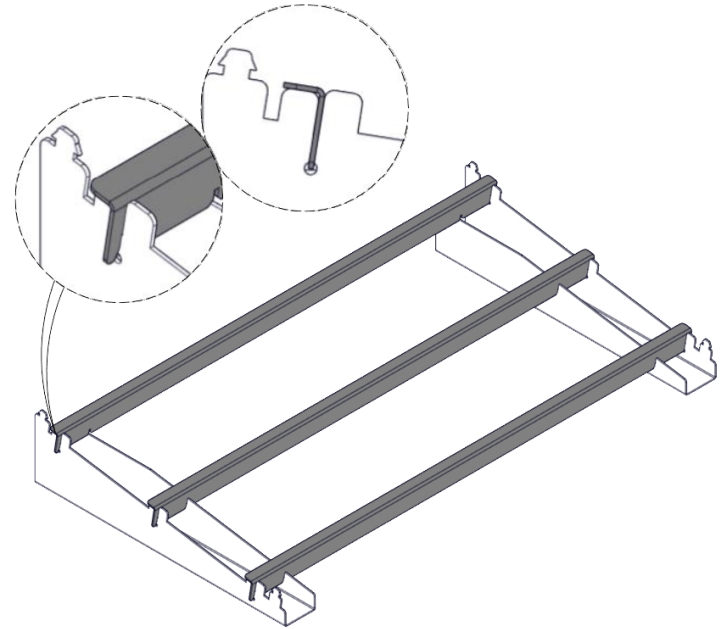
# Installation of bottom shelf Art.No. 0193-70000-0 (2x)



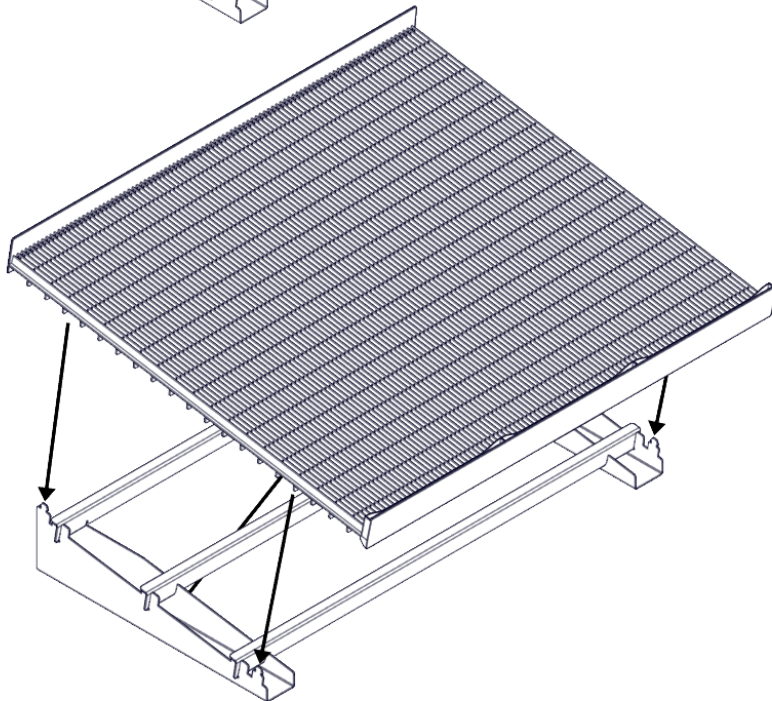
27



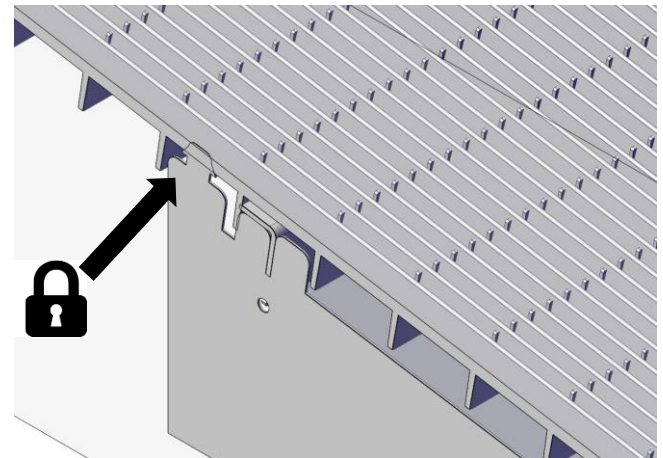
28



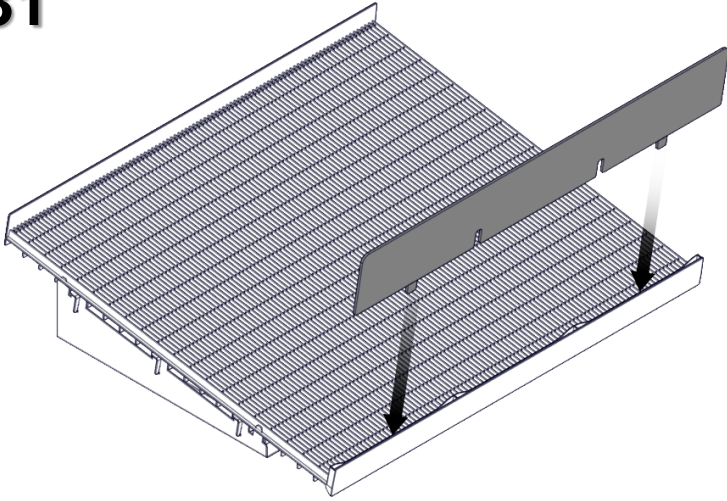
29



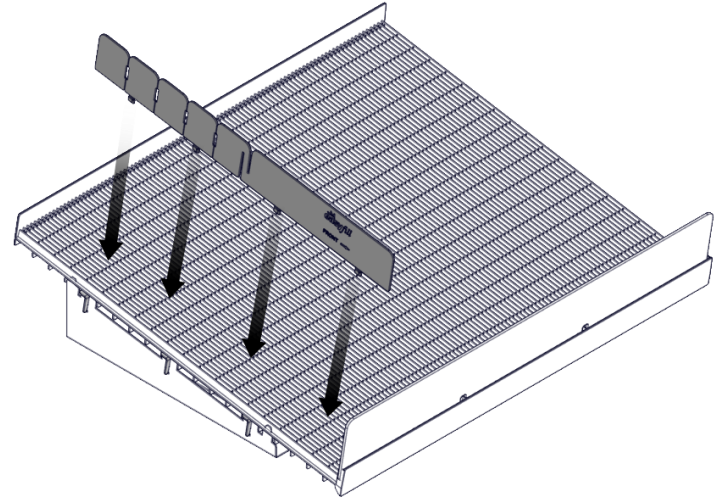
30



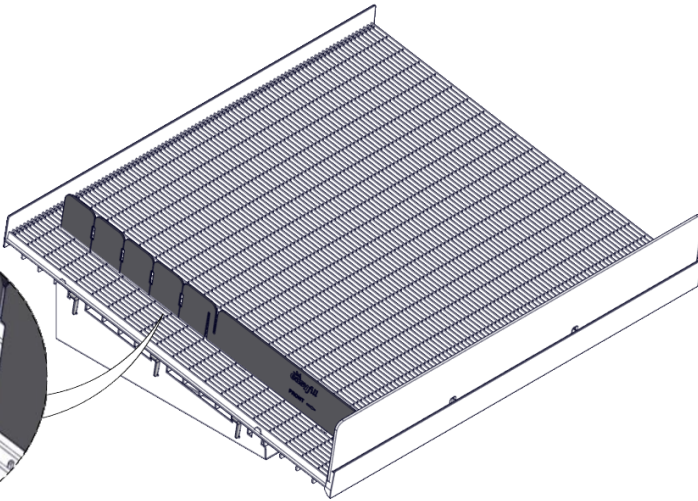
31



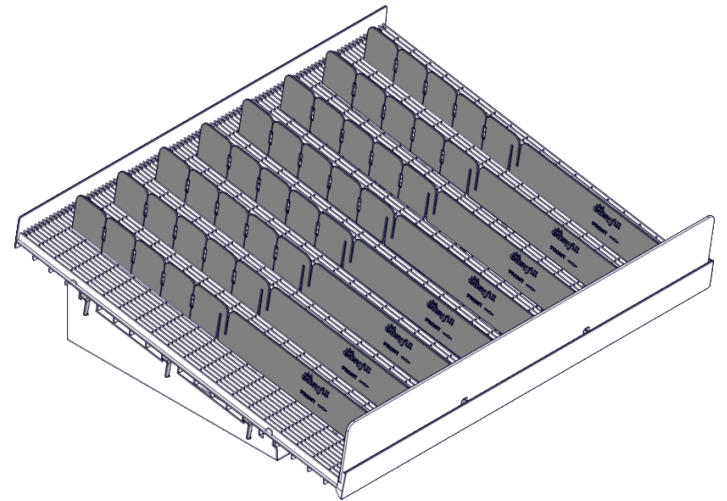
32



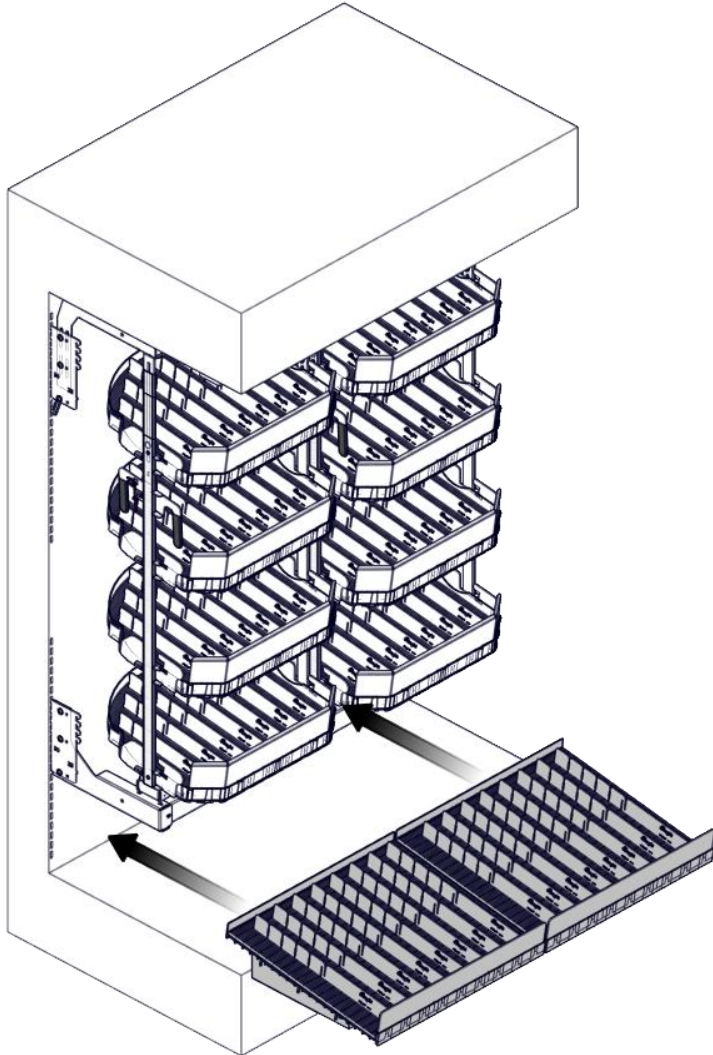
33



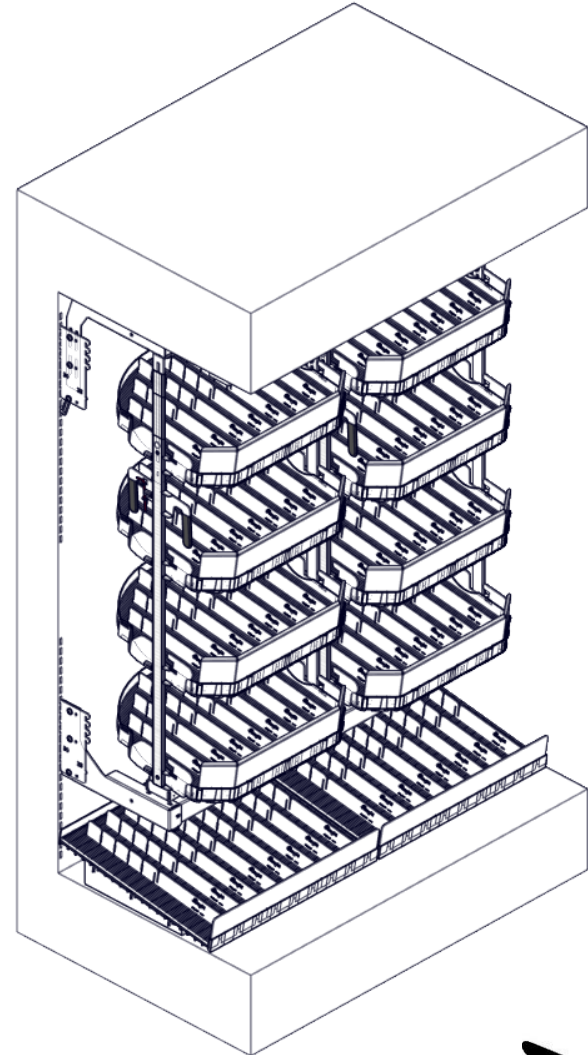
34



35

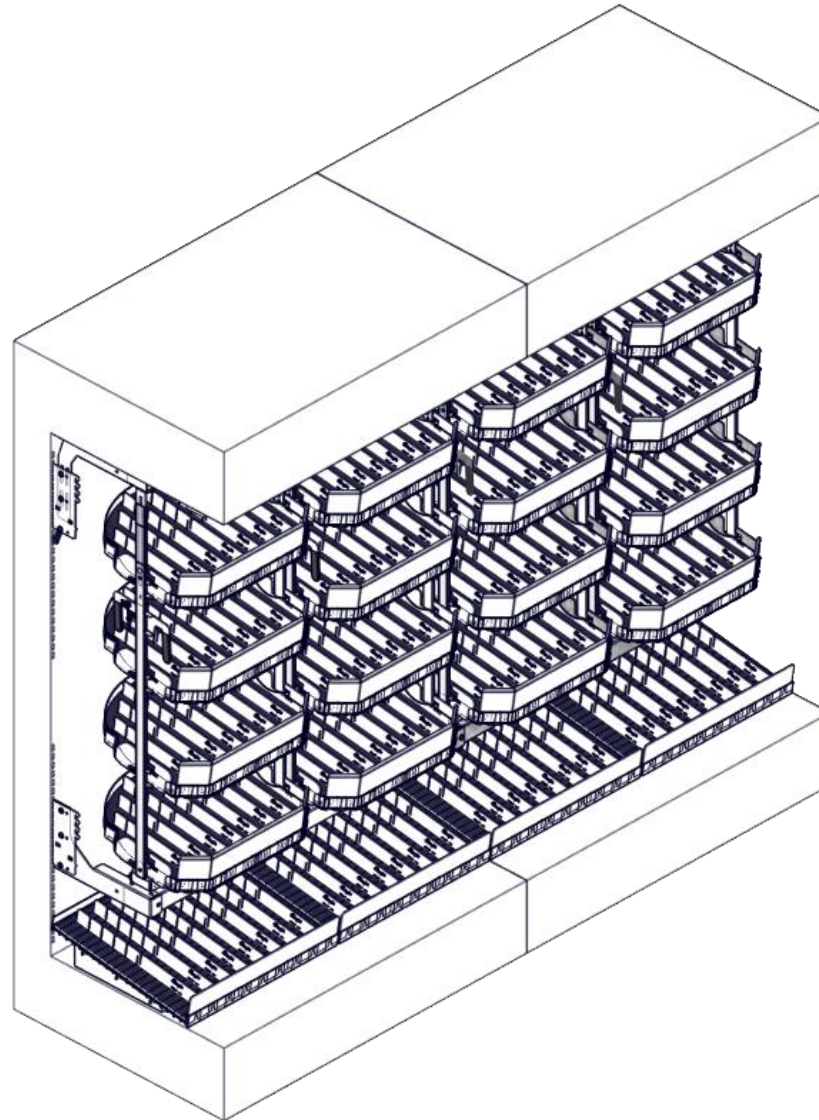


36

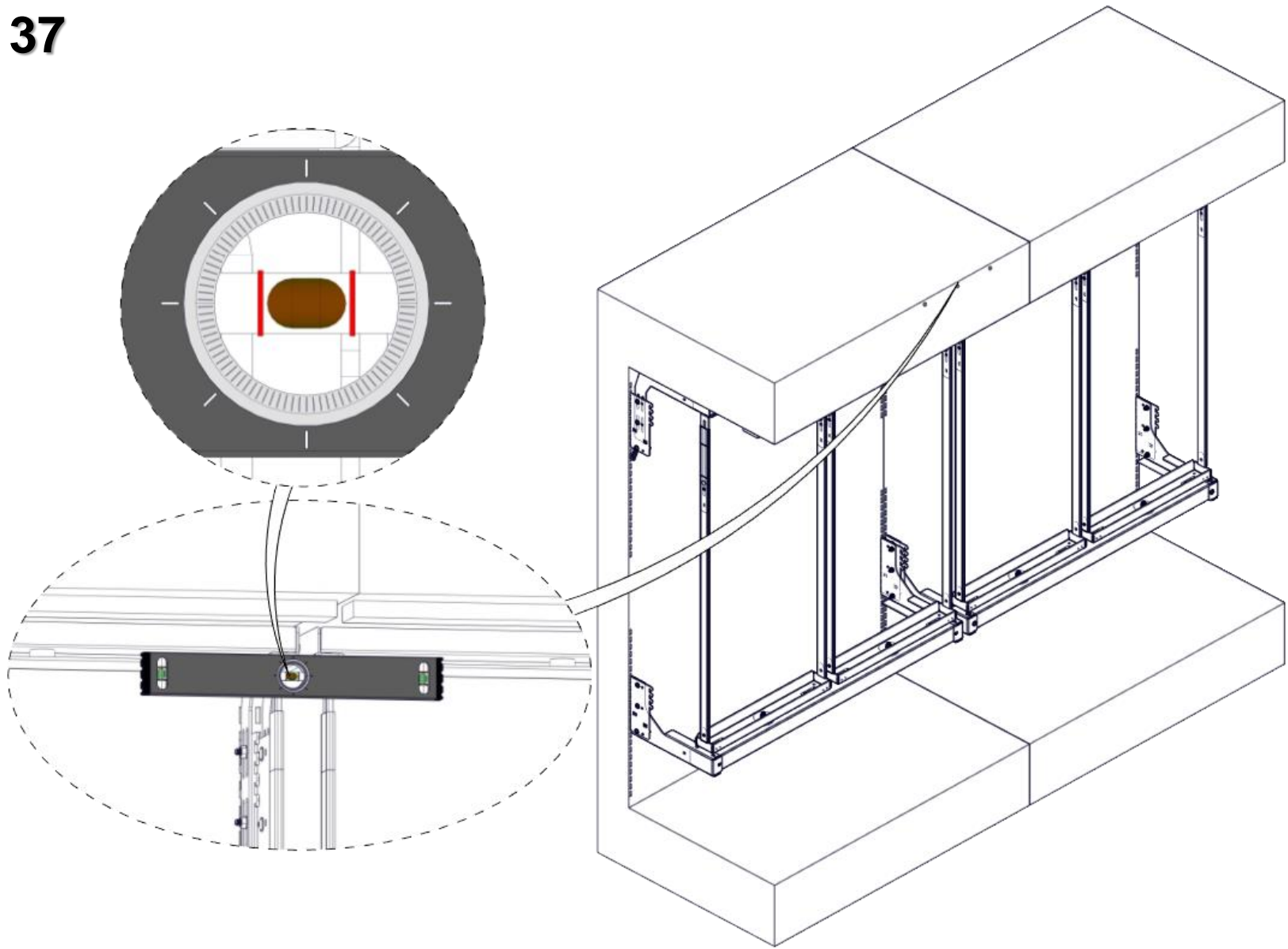


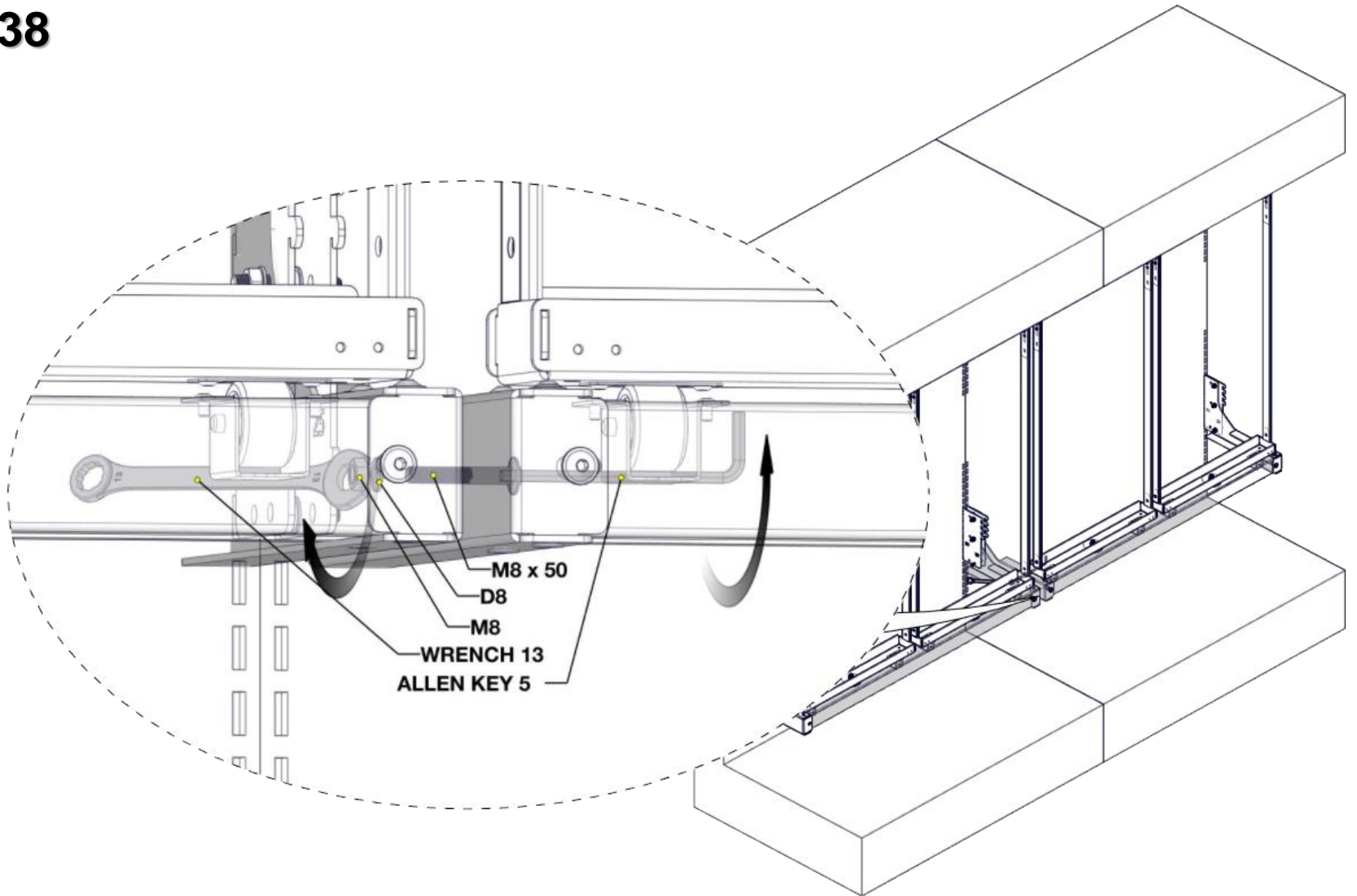


# Multiple installation

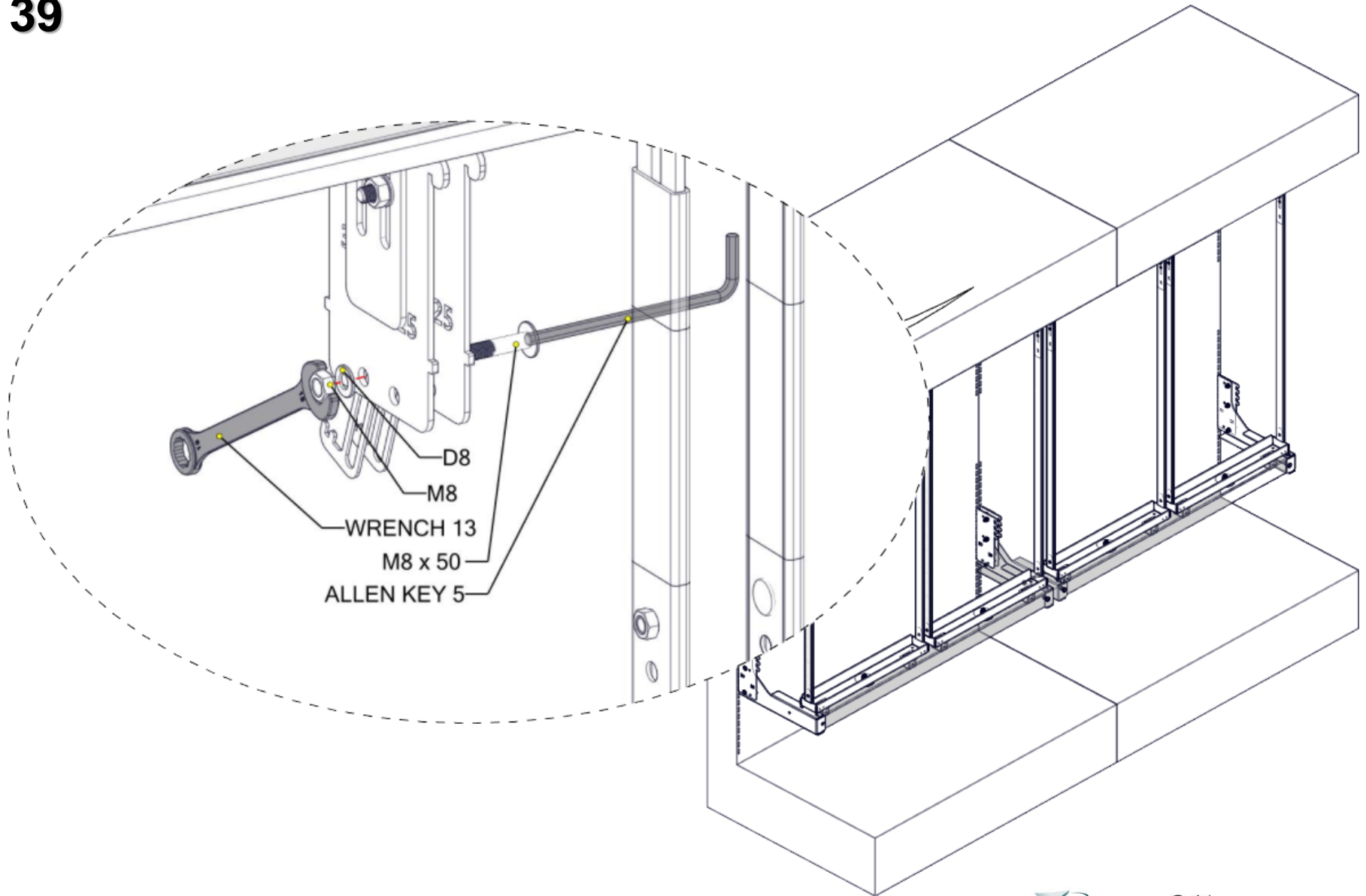


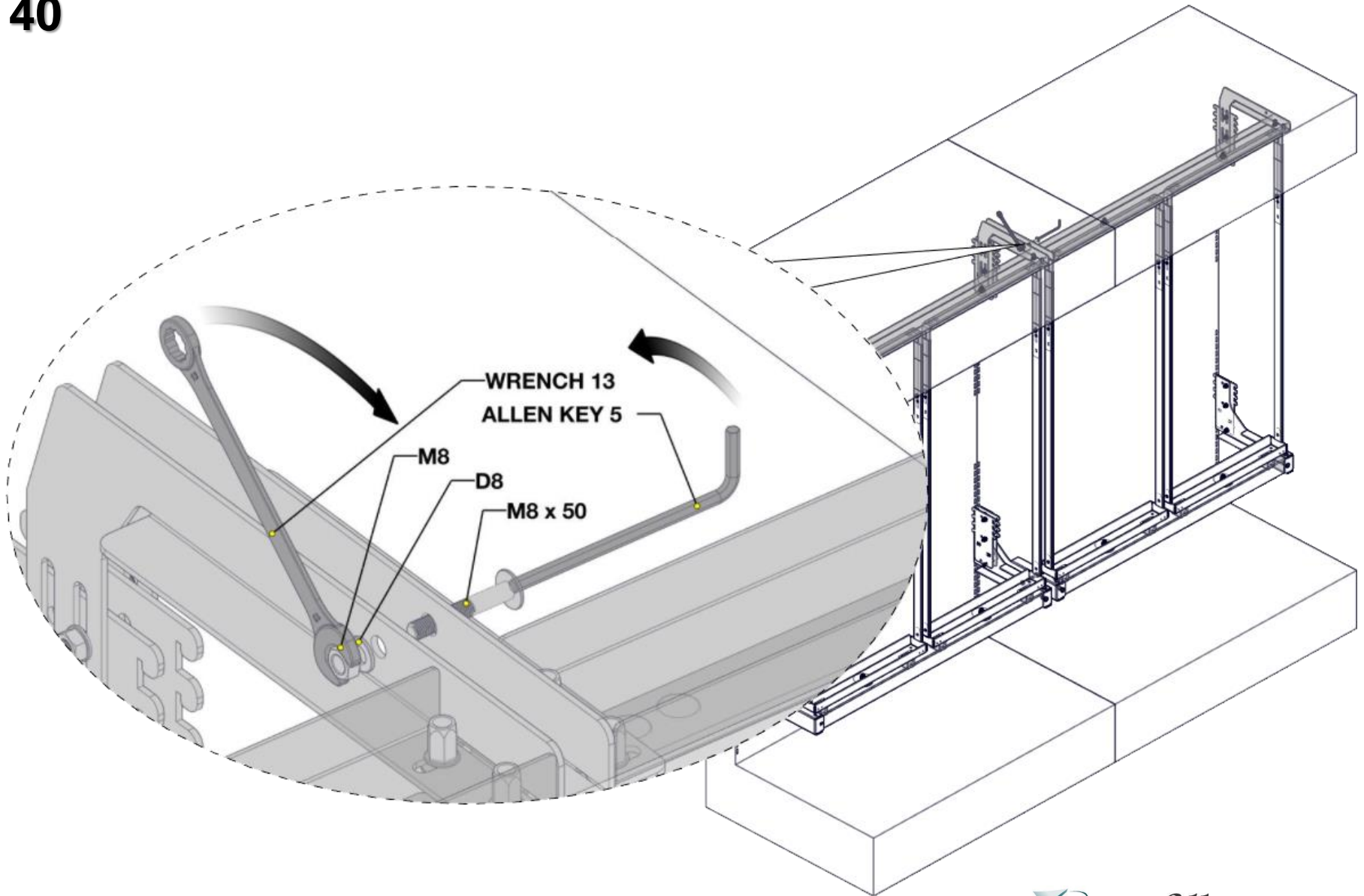
37





39





**Thanks!**  
**[www.easyfill.se](http://www.easyfill.se)**

ALL PICTURES SHOWN ARE FOR ILLUSTRATION PURPOSE ONLY.  
ACTUAL PRODUCT MAY VARY DUE TO PRODUCT ENHANCEMENT.  
ALL CHANGES ARE RESERVED BY EASYFILL.